

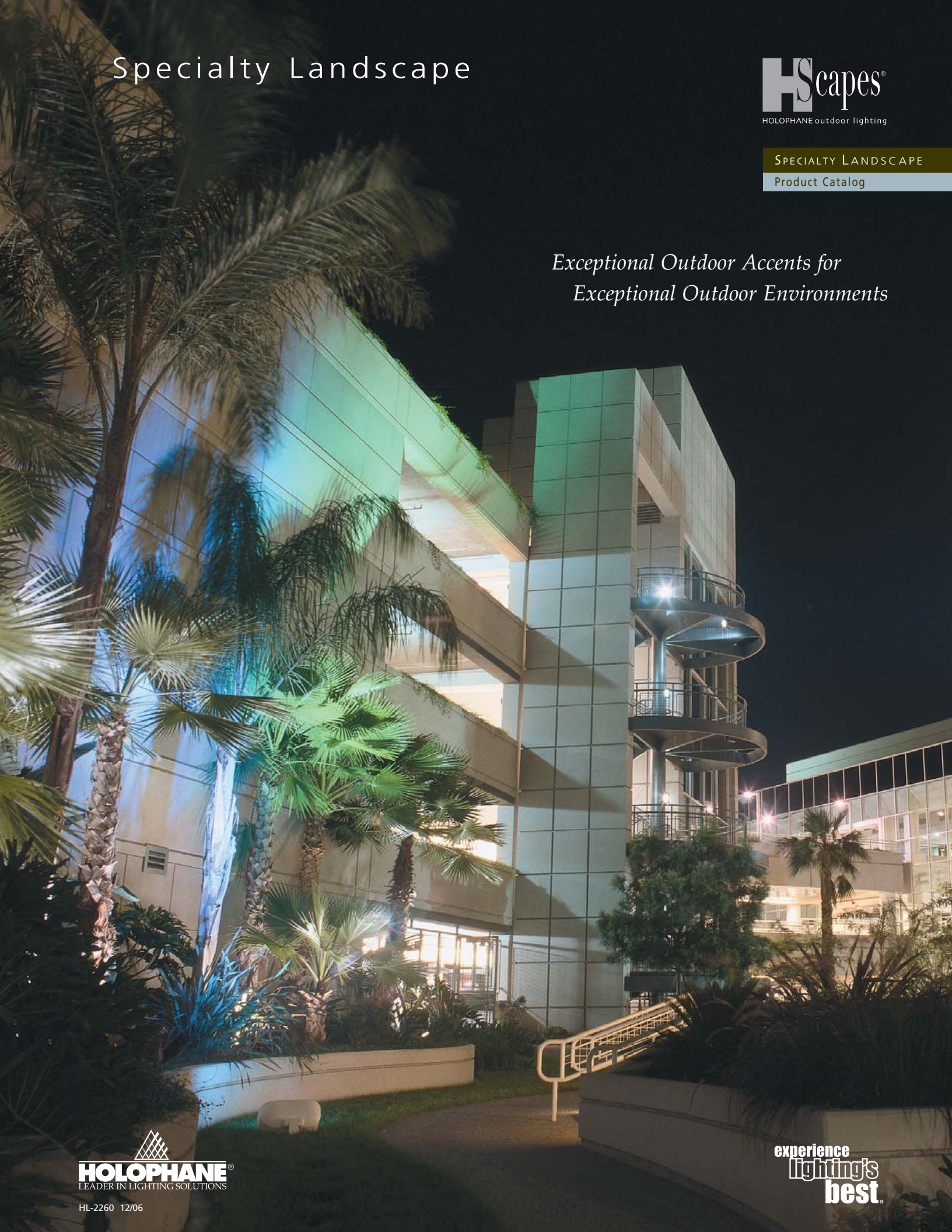
Specialty Landscape



SPECIALTY LANDSCAPE

Product Catalog

*Exceptional Outdoor Accents for
Exceptional Outdoor Environments*



HL-2260 12/06

experience
lighting's
best.

Specialty Landscape



Exceptional Outdoor Accents for Exceptional Outdoor Environments

Holophane has been at the cornerstone of outdoor lighting for many decades designing outdoor luminaires for metropolitan street, boulevard and area lighting. The company's long-standing reputation for quality has been built through demanding yet uncompromising principles such as superior lighting performance, unparalleled reliability, simple and intuitive mechanical design, and exquisite classical beauty.

Holophane is now expanding their product offering with a new line Specialty Landscape products to illuminate architecture, landscaping, monuments and pathways.





Specialty Landscape by Holophane:

- Louvered Bollards
- Well Lighting
- Water and Fountain
- Architectural Floodlighting
- Performance Floodlighting
- In-Grade, including the new LED Trailblazer® Series

For many decades successful architects, designers, and installers worldwide have relied on Holophane's reputation as a pioneering company that is committed to establishing the industry's highest standards in lighting technology, product reliability, and safety. Join us now as Holophane enters a new era of lighting with their new line of Specialty Landscape products, and find out why Holophane truly is the Leader in Lighting Solutions.



Product Selection Matrix



BOLLARDS



H101



H102



H103



H104



WELL LIGHTING



H310



H330



H335



H350



WATER AND FOUNTAIN



H418 BM YM



H421 BM YM



H425 SWM



H427 NM



COMPACT FLOOD



H700



H710



H720

IN GRADE



H670



H900



H910

LED TRAILBLAZER®



LT



LTD



H428 BM



H428 SWM



HIGH PERFORMANCE FLOOD



H810
Yoke Mount



H820
Yoke Mount



Index

Bollards

- H110, H120, H130, H1406-9
- Product Features8
- Ordering Information9

Well Lighting

- H310, H330, H335, H350 . . 10-15
- Product Features12-13
- Ordering Information14-15

Water and Fountain

- H421, H424, H427, H428 . . 16-23
- Product Features18-19
- Ordering Information20-23

Compact Flood

- H700, H710, H72024-29
- Product Features26
- Ordering Information27-29
- Mounting Options36

High Performance Flood

- H810, H82030-35
- Product Features32
- Ordering Information33-35
- Mounting Options . .37

In Grade

- H670, H900, H91038-41
- Ordering Information40-41

LED Trailblazer®

- LT, LTD42-47
- Product Features32
- Ordering Information34-35

experience
lighting's
best.

H101 | H120 | H130 | H140



Typical Applications

- City Plazas
- Parks
- Walkways
- Campuses
- Gardens
- Docks

Features

- Vandal Resistant Base
- Durable Louver Assembly
- Ease of Installation
- Convenient Ballast Access
- Increased Efficiency
- IES Cutoff and Reduced Glare
- Optional Forward Throw Distribution
- Holophane Ballast

Lamp Types

- 50 - 100 Watt Metal Halide
- 50 - 100 Watt High Pressure Sodium

Approvals

- UL/CUL Listed
- IEC



Bollards

The H100 Series louvered bollard provides simplified geometric forms that will both complement and blend with a variety of architectural settings. Rugged in design and functional in performance, these bollards will meet even the most demanding installation requirements.

When long term durability and ease of installation is what's needed in a bollard, Holophane can fill the need. Interlocking louvers, extruded aluminum pillar, and welded cast aluminum mounting plates are the key to the H100 Series success. A patented 6-point internal level/mount technology makes the external mounting screws and leveling methods of existing bollards obsolete.

A performance based louver system utilizing a low glare upper surface combined with a high reflectance louver surface maximizes light output while reducing offensive glare common in most bollards.



H101



H102



H103



H104

Product Features

- 1 Optional Forward Throw Distribution:** Forward throw reflector redirects backlight increasing performance by 50%
- 2 Durable Louver Assembly:** Interlocking diecast aluminum louvers provide impact resistant assembly
- 3 Increased Efficiency:** High reflectance white finish on underside of louvers optimizes performance and increases pathway light levels
- 4 IES Cutoff and Reduced Glare:** Standard matte black finish on topside of louvers creates cutoff distribution and minimizes glare
- 5 Vandal Resistant Base:** Extruded aluminum pillar welded to top and bottom plates provide maximum structural integrity
- 6 Convenient Ballast Access:** Ballast lift allows for easy component maintenance and wattage exchange
- 7 Ease of Installation:** Removable access door creates easy access to patented 6-point internal level mount system and wire splice make-up



Image shows the access door held in place by two allen head screws. Once the door is removed, the mounting bolts, levelers, and wire splice connections can be conveniently accessed.

The ballast can be access by loosening two bolts located just underneath the lift. Once the bolts are loosened, the ballast tray will slide down into the access door opening for maintenance and/or repair of all components.

Specifications

General Description

A low level area lighting luminaire that combines visual appeal with superior performance and unequalled quality. Designed to work in building perimeter area and public spaces completing a wide variety of architectural styles.

Material

Coated E17/Elliptical (recommended)
Copper-free Aluminum, A360

Wattage

Fluorescent - 42 Watt max., triple tube
HID - 70 Watt max., T-6, 100 Watt max.,
G12, 100 Watt max, Coated E17/Elliptical
(Coated lamp is recommended-LPIC)

Distribution

SYM - Symmetric
FT - Forward Throw

Lens

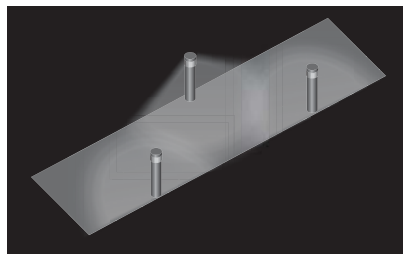
Clear borosilicate for coated lamps. Frosted borosilicate for clear lamps

Fasteners

Stainless Steel

Distribution

Forward "FT" Distribution



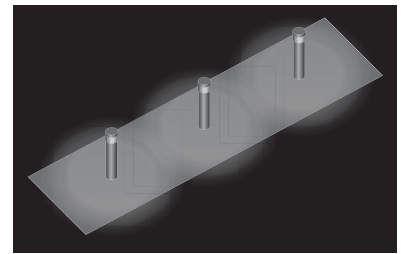
Ballast

Integrally mounted magnetic or electronic ballast with low starting temperature. Holophane magnetic ballast provided with standard product offering for all HID sources and wattages where applicable

Finish

Matte black finish on top surface provides IES cut off performance while gloss white on bottom extends reflective light to economize on spacing of fixtures. Custom finish available on top louver surface.

Symmetric "SYM" Distribution



Mounting

Patented impact resistant mounting and leveling design ensure life long performance. Four levelling pads within the base mounting plate are easily accessible through the access panel. The levelling pads provide full contact with the concrete pad, providing a high degree of stability. The base mounting plate is fully welded to the bollard post, providing complete structural support from all directions.

Listings

UL, CUL, IEC

Ordering Information

How to Construct a Catalog Number

Example:

1	2	3	4	5	6	7	8	9
LUMINAIRE	HEIGHT	WATTAGE	VOLTAGE	DISTRIBUTION	OPTIONS	LAMP	FINISH	LISTING
H101 H102 H103 H104	36 42	26DTT 32TRT 42TRT 50M 50CM 70M 70CM 100M 100CM 35CMT6 70CMT6 20CMT4 35CMT4 70CMT4 50S 70S 100S	120 208 220 240 277 347 120/277 MA MB MC MD VT	SYM FT	SF DF GEB GFCI DR EL N EL H	LPI LPIC	BK BD BM BZ GH GN GR WH SD AS	IEC

Catalog Number Information



STEP 1: LUMINAIRE

H101 Louvered Bollard
H102 Louvered Bollard
H103 Louvered Bollard
H104 Louvered Bollard

STEP 1: LUMINAIRE (CONT.)

H104

STEP 2: HEIGHT

36	36"
42	42"

STEP 3: WATTAGE¹

Fluorescent	
26DTT	GX24Q-3
32TRT	GX24Q-3
42TRT	GX24Q-4
Metal Halide	
50M ²	ED17 Med.
50CM ²	ED17 Med.
70M ²	ED17 Med.
70CM ²	ED17 Med.
100M ²	ED17 Med.
100CM ²	ED17 Med.
35CMT6 ³	T6 G12
70CMT6 ³	T6 G12
20CMT4 ³	T4 G8.5
35CMT4 ³	T4 G8.5
70CMT4 ³	T4 G8.5
High Pressure Sodium	
50S ¹	E17 Med.
70S ¹	E17 Med.
100S ¹	E17 Med.

¹ Holophane magnetic ballast provided with standard product offering for all HID sources and wattages
² Coated lamps provided unless "LPI" is chosen
³ T4 and T6 lamps provided with frosted lens

STEP 4: VOLTAGE

120	120V
208	208V
220	220V
240	240V
277	277V
347	347V
120/277	120/277V

Multi-tap, factory wired

MA	120V only
MB	208V only
MC	240V only
MD	277V only
VT ¹	Vari-tap

¹ Available with "GEB" option only or with fluorescent lamps

STEP 5: DISTRIBUTION

Internal	
SYM	Symmetrical, 360°
FT	Forward Throw, 180°

STEP 6: OPTIONS

Fusing

SF ¹	Single Fuse
DF ²	Double Fuse

Ballast³

GEB	Electronic Ballast
-----	--------------------

Receptacle

GFCI	Receptacle
DR	Duplex Receptacle

Emergency

EL N	Battery Backup (half output)
EL H	Battery Backup (full output)

HLP magnetic ballast is standard for HID lamps unless specified otherwise
¹ Available with 120, 277 or 347V on HID only
² Available with 208, 220 or 240V on HID only
³ Available with "GEB" option only or with fluorescent lamps

STEP 7: LAMP

LPI	Lamp Included
LPIC	Lamp Included, Coated

STEP 8: FINISH

BK	Black
BD	Dark Blue
BM	Brown Metallic
BZ	Bronze
GH	Graphite
GN	Green
GR	Gray
WH	White
SD	Sandstone
AS	As Specified

Optional Louvers Painted¹

___/PL	Louvers Painted to Match Luminaire
--------	------------------------------------

¹ Louvers will be black unless otherwise specified

STEP 9: LISTING

IEC	International Electro-technical Commission
-----	--

H310 | H330 | H335 | H350



Typical Applications

- City Plazas
- Parks
- Walkways
- Campuses
- Gardens
- Docks

Features

- Adjustable Well Depths
- Modular Design
- Superior Performance
- Factory Sealed Optics
- Easy Re-lamping and Positioning
- Factory-Sealed Power Module
- Watertight Connectors
- Thermal Cutoffs
- Holophane Ballasts

Lamp Types

- 100 - 250 Watt Halogen
- 70 - 175 Watt Metal Halide
- 70 - 150 Watt High Pressure Sodium
- 100 - 150 Watt Incandescent

Approvals

- UL/CUL Listed Wet Locations
- NEMKO
- IP67 Rating

Well Lighting



Well lights are ideal for applications where safety and flexibility are desired. Holophane's line of rugged well-lighting is feature-rich and provides many benefits for today's installation: Factory-Sealed Optics – Dry-air purging ensure the factory sealed lamp modules remain water-tight. Easy Re-Lamping and Positioning: A special aiming and indexing accessory is available that will allow easy re-lamping without affecting positioning and beam-pattern. Factory Sealed Power Module: A triple-sealed, heat dissipating resin keeps the power module dry while maintaining a low profile.

Holophane's Well Lighting Series includes round or square grills with several louver options and a wide selection of lamps. Well depths are adjustable and maintain low lens temperature for heat-sensitive, high traffic applications.

Foremost among the most significant advances for well lighting is modular design. Water penetration ceases to be a problem when all critical components – lamp, ballast, and connectors – are installed as presealed watertight modules. Installation becomes at least 50% faster. Maintenance is no longer a tricky problem. Modular design adds up to time and money saved.



H310



H330



H350

Product Features

- 1 Grill:** Round or square painted cast aluminum or bronze. Round grill available with clear polycarbonate cover
- 2 Lamp Module:** Contains lighting components in a stainless steel housing which is suspended from the grill in a retainer ring. The module is dry air purged and sealed to eliminate condensation.
- 3 Connectors:** Designed to be watertight and to withstand wide temperature variations. Gold plated contacts ensure long life. Underwater cables interconnect the modules.
- 4 Power Control Module:** Triple sealed to keep moisture out and encapsulated in a heat dissipating resin. Eliminates need for a large surface mounted combination box.
- 5 Junction Box:** "L" conduit and cord seal connection is provided
- 6 Retaining Well:** Engineered polymer designed for placement directly in substrate and height adjustment as plants mature



Specifications



H310

Well

Thick wall polypropylene pipe

Grill

Cast aluminum or bronze. Glass cover included

Lamp Housing

Cast aluminum or bronze with fins for heat dissipation. Angular adjustment up to 10°

Lens

Tempered glass. Convex Lens Clear (CLC) standard

Lamp Options Distributions

Metal Halide

PAR20	35W	SP, FL
T4	35W	SP, FL

Halogen

PAR20	35W	NSP, NFL, WFL
PAR20	50W	NSP, NFL, WFL

Low Voltage

MR16	20W	NSP, FL, VWFL
MR16	35W	NSP, NFL, FL, VWFL
MR16	50W	NSP, NFL, FL, VWFL
MR16	75W	NSP, NFL, FL

Conduit Entries

Inter connecting conduit shall be 1/2" galvanized pipe, with brass cord seal

Finishes

Standard and custom paint finishes available

Listings

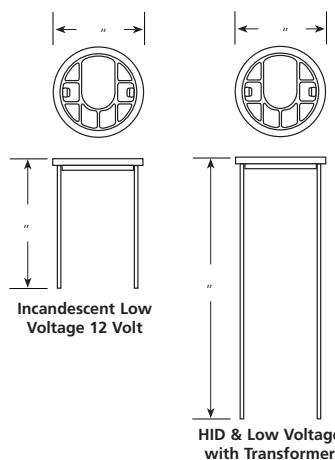
UL



Aluminum or bronze body is finned to ensure proper cooling.

General Description

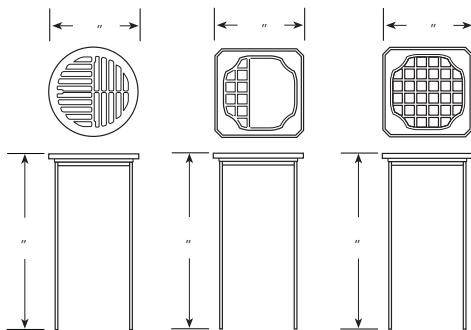
Multi-purpose modular units designed to provide a concealed light source for up-lighting tree, shrubs, terraces or wall from a flat lawn area. Units are completely weather-proof, designed for installation in damp areas. Triple sealed power modules keep moisture away from ballast components.



Specifications



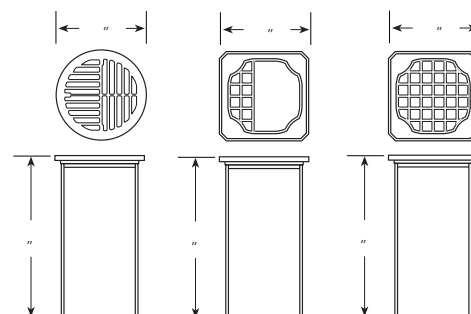
H330-H335



H335 is available with same grills as above for H330. Width is 10 3/8", see ordering information



H350



Lamp Options Distributions

High Pressure Sodium

- E17 70W SP, FL
- E17 100W SP, FL

Metal Halide

- E17 70W SP, FL
- PAR30 5W SP, FL
- E17 100W SP, FL
- PAR30 70W SP, FL
- PAR30 35W SP, FL
- T6 35W SP, FL
- PAR30 70W SP, FL
- T6 70W SP, FL

Halogen

- PAR30 50W NSP, NFL, WFL
- PAR30 75W NSP, NFL, WFL

Low Voltage

- MR16 50W NSP, FL, VWFL
- MR16 75W NSP, NFL, FL, VWFL
- PAR36 50W NSP, NFL, FL
- PAR36 75W FL

Well

Thick wall polypropylene pipe

Grill

Cast Aluminum or bronze. Full Eggcrate Louver or Directional Eggcrate Louver square grills and Directional Louver round grills are available for both fixtures. Eggcrate Directional louvers provide 30° cut-off

Lamp Options Distributions

High Pressure Sodium

- E17 70W SP, FL
- E17 100W SP, FL
- E17 150W SP, FL

Metal Halide

- E17 150W SP, FL
- PAR38 70W SP, FL
- E17 175W SP, FL
- T6 70W SP, FL
- T6 150W SP, FL

Incandescent

- PAR38 100W NSP, NFL, WFL
- PAR38 150W NSP, NFL, WFL

Halogen

- T4 100W NSP, NFL, WFL
- T4 150W NSP, NFL, WFL
- T4 250W NSP, NFL, WFL

Well

Thick wall polypropylene pipe.

Grill

Cast Aluminum or Bronze. Full Eggcrate Louver or Directional Eggcrate Louver square grills and Directional Louver or Clear Polycarbonate Cover round grills are available. Eggcrate Directional louvers provide 30° cut-off. Clear Polycarbonate Cover grill is 100Watt maximum

Lens

Tempered glass lens

Lamp Module

Stainless steel, sealed and purged of all moisture to 100°F (38°C) and mounted integral with grill. Angular adjustment up to 15°. Electrical access to lamp module is done through submersible rated connector. Thermally protected

Finishes

Standard and custom paint finishes available

Power Module

Sealed unit encapsulated in an engineered composite resin to eliminate all water entry. Holophane magnetic ballast provided with standard product offering for all HID sources and wattages where applicable

Conduit Entries

Two 3/4" NPT openings in the bottom of the J-box. 25 cubic inches of volume suitable for thru branch wiring. Connecting conduit is 1/2" galvanized pipe with brass cord seal

Listing

UL

Lamp Module

Stainless steel lamp module housing mounted integral with grill. Module is sealed and purged of all moisture. Angular adjustment up to 15°. Thermally protected

Lens

Tempered glass lens. Convex Lens Clear (CLC) is standard. Convex Lens Frosted (CLF) also available

Finishes

Standard and custom paint finishes available

Power Module

Sealed power module encapsulated in an engineered composite resin to eliminate all water entry. Holophane magnetic ballast provided with standard product offering for all HID sources and wattages where applicable

Extended Depth

Holophane offers extended depth configurations for the H350 Series Well Light luminaire. The extended depth permits lower lamp module placement to reduce surface temperatures.

Ordering Information

How to Construct a Catalog Number

Example:

H310	A	M50	12	NSP	12B	GEB	LPI	BK
1	2	3	4	5	6	7	8	9
LUMINAIRE	MATERIAL	WATTAGE	VOLTAGE	DISTRIBUTION	CONDUIT ENTRIES	OPTIONS	LAMP	FINISH
H310	A B	P2035I P2050I M20 M35 M50 P2035CM 20CMT4 35CMT4	12 120 208 240 277 VT	NSP SP NFL FL MFL WFL	12B 34B	GEB	LPI	BK BD BM BZ GH GN GR WH SD AS

Catalog Number Information



STEP 1: LUMINAIRE	
H310	Well Light
STEP 2: MATERIAL	
A	Aluminum
B	Bronze
STEP 3: WATTAGE	
Incandescent	
P2035I	35W PAR20
P2050I	50W PAR 20
Low Voltage	
M20	20W MR-16 GX5.3
M35	35W MR-16 GX5.3
M50	50W MR-16 GX5.3
Metal Halide	
P2035CM	35W MH PAR20
20CMT4 ¹	20W MH T4
35CMT4 ¹	35W MH T4
¹ Requires "GEB" ballast option	

STEP 4: VOLTAGE	
12 ¹	12V
120	120V
208	208V
240	240V
277	277V
VT ²	Vari-tap
¹ Transformer not included, sold separately	
² Standard on all MH lamps with GEB ballast option	
STEP 5: DISTRIBUTION	
NSP	Narrow Spot
SP	Spot
NFL	Narrow Flood
FL	Flood
MFL	Medium Flood
WFL	Wide Flood

STEP 6: CONDUIT ENTRIES	
12B	1/2" NPT Bottom
34B	3/4" NPT Bottom
STEP 7: OPTIONS	
GEB ¹	Electronic Ballast
HLP magnetic ballast is standard for HID lamps unless specified otherwise	
¹ Available only with MH lamps and VT voltage	
STEP 8: LAMP	
LPI	Lamp Included

STEP 0: FINISH ¹	
BK	Black
BD	Dark Blue
BM	Brown Metallic
BZ	Bronze
GH	Graphite
GN	Green
GR	Gray
WH	White
SD	Sandstone
AS	As Specified
¹ Finish available on aluminum luminaire only	

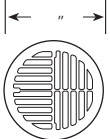

How to Construct a Catalog Number

Example:

H350 1 LUMINAIRE H330 H335 H350	A 2 MATERIAL A B	70S 3 WATTAGE 70S 100S 150S 70M 100M 150M 175M P3870M P38100M P38150M P3035CM P3070CM P3870CM P38100CM 35CMT6 70CMT6 150CMT6 70CM 100CM P3050I P3075I P38100I P38150I 100Q 150Q 200Q M50 M75	120 4 VOLTAGE 12 120 208 220 240 277 347 VT	SP 5 DISTRIBUTION FL SP NSP NFL WFL	CLC 6 LENS CLC	34B 7 CONDUIT ENTRIES 34B	DEL 8 GRILL DEL DL FEL	ASR 9 ACCESSORIES ASR CTR	GEB 10 OPTIONS IJB SF DF	LP 11 LAMP LPI	BK 12 FINISH BK BD BM BZ GH GN GR WH SD AS
--	--	--	---	--	---------------------------------------	--	---	---	---	---------------------------------------	--

Catalog Number Information



STEP 1: LUMINAIRE	
H330	9 1/2" Well Light
H335	10 3/8" Well Light
H350	11 1/2" Well Light
	
H310	
	
H335	
	
H350	
STEP 2: MATERIAL	
A	Aluminum
B	Bronze

STEP 3: WATTAGE	
H330-H335	
Incandescent	
P3050I	PAR 30 MED
P3075I	PAR 30 MED
Low Voltage	
M50	MR 16 GX5.3
M75	MR 16, GX5.3
Metal Halide	
50M	E17 MED
70M	E17 MED
100M	E17 MED
P3035CM	PAR 30 MED
P3070CM	PAR 30 MED
35CMT6	T6 G12
70CMT6	T6 G12
HPS	
70S	E17 MED
100S	E17 MED
150S	E17 MED
H350	
Incandescent	
P38100I	100W PAR 38
P38150I	150W PAR 38
100Q	100W T4
150Q	150W T4
250Q	250W T4
Metal Halide	
70M	E17 MED
100M	E17 MED
150M	E17 MED
175M	E17 MED
P3870M	PAR 38 MED
P38100M	PAR 38 MED
P38150M	PAR 38 MED
70CM	E17 MED
100CM	E17 MED
P3870CM	PAR-38 MED
P38100CM	PAR-38 MED

STEP 3: WATTAGE (CONT.)	
70CMT6	T6 G12
150CMT6	T6 G12
HPS	
70S	E17 MED
100S	E17 MED
150S	E17 MED
STEP 4: VOLTAGE	
12 ^{1,2}	12V
120	120V
208	208V
220	220V
240	240V
277	277V
347	347V
VT ^{3,4}	Vari-tap
1 Transformer not included for low voltage lamps	
2 Available with "H330" only	
3 Not available with low voltage lamps	
STEP 5: DISTRIBUTION	
FL	Flood
SP	Spot
NSP ^{1,2}	Narrow Spot
NFL ^{1,2}	Narrow Flood
WFL ^{1,2}	Wide Flood
1 Available with PAR and MR16 lamps only	
2 Available with "H330" only	
STEP 6: LENS	
CLC ¹	Convex Lens, Clear
1 CLC default if lens option not chosen	
STEP 7: CONDUIT ENTRIES	
34B	3/4" NPT Bottom

STEP 8: GRILL	
DEL	Directional Eggcrate Louver, Square
DL	Directional Louver, Round
FEL	Full Eggcrate Louver, Square
STEP 9: ACCESSORIES	
ASR	Re-lamping Ring
CTR	Concrete Trim Ring
1 Only available with "DL" on "H350"	
STEP 10: OPTIONS	
SF ¹	Single Fuse
DF ²	Double Fuse
IJB ³	Internal Junction Box
1 Available with 120 or 277V only	
2 Available with 208, 220, 240, or 347V only	
3 Available with "H350" only	
STEP 12: LAMP	
LPI	Lamp Installed
STEP 13: FINISH ¹	
BK	Black
BD	Dark Blue
BM	Brown Metallic
BZ	Bronze
GH	Graphite
GN	Green
GR	Gray
WH	White
SD	Sandstone
AS	As Specified
1 Finish available on aluminum luminaires only	

H418 | H421 | H424 | H425 | H427 | H428



Typical Applications

- Reflection Pools
- Fountain Pools
- Waterfalls
- Garden and Shallow Pools
- Swimming Pools

Features

- Long Lamp Life
- Rock Guard
- Superior Performance
- Low Water Cut-off
- Heavy Duty Cast Bronze
- Lamp Included
- Holophane Ballast

Approvals

- UL/CSA (H421, H424, H427)
- UL/CSA/CE/CB/NEMKO (H425)
- UL (H418, H428)



Water & Fountain

Holophane offers special insight into the complex demands of providing efficient, durable lighting for reflection pool and fountain pool lighting.

Every luminaire is fashioned from superior materials, and the most advanced photometrics are incorporated into its design.

Rigorous programs of quality control and final testing build in that extra dimension of performance and reliability that is a consistent Holophane core value.

Holophane's line of fountain and reflecting pool lights, in base mounted styles, accommodates a wide variety of installations and water effects. In addition to a standard range of lamp options, Holophane water and fountain products are especially flattering to many water effects.

All fountain and reflection pool lights are designed with a temperature sensing, low water cut-off feature to guard against overheating.



H428 BM



H421 NM



H425 NM/SWM



H428 NM/SWM

Product Features

Specifications

General Description

H418, H421 Base or Yoke Mount: Ideal for shallow pool installation. Compact in size with an over all height of 8 3/8"

H424, H427 Base or Yoke Mount: Heavy duty, all cast bronze luminaire for fountain and water effect applications

H428 Base or Yoke Mount: Heavy duty cast bronze underwater metal halide luminaire is used in fountains, reflecting pools and illuminating waterfalls

H418, H421, H427 Niche Mount: Heavy duty, all cast bronze luminaire with stainless steel formed niche is designed for wet niche installation in floors or wall of fountain pools or water effects and reflection pools

H421, H425, H427, H428 SWM Mount: Heavy duty, all cast bronze luminaires, recessed in stainless steel forming niche designed for wet niche installations in swimming pools

Fixture Housing, Door and Rock Guard

Heavy wall cast bronze construction. Natural bronze finish

Gasket

Single piece molded U-shaped silicone.

Factory Leak Tested

All luminaires tested at 10PSI internal pressure while totally submerged in water

Fasteners

Stainless steel

Low Water Cut-off

Temperature sensing low water cut-off standard

Power Module

H428 BM: Holophane magnetic ballast available with 175W source



H418 BM YM



H421 BM YM



H424 BM YM



H427 BM YM



H428 BM



H418 NM ANM



H421 NM, H421 SWM



H424 NM, H427NM



H425 SWM



H427 SWM



H428 SWM

Holophane's niche and base mounted styles accommodate a wide variety of installations and water effects. Base mounted models are free-standing. Yoke mounted models are designed for stud or mounting bolts. Wet niche types are available in floor and wall mount models. Holophane reflection pool and fountain pool lights are built to meet or surpass Underwriter Laboratories standards, as well as those of the National Electric Code and NEMKO, per standard IEC 598. They meet the safety requirements for fountains and decorative pools. Reflection pool and fountain pool lighting fixtures are not intended for use in swimming pools. Holophane swimming pool lights are built to meet or surpass Underwriters Laboratories standards as well as those of the National Electric Code. They meet the safety requirements for swimming pool lights, which are demanding and prescribe additional safeguards.



Ordering Information

How to Construct a Catalog Number

Example:

For H418 BMYM only

H418 1 LUMINAIRE H418	P38100I 2 WATTAGE P38100I P38150I P38250I	120 3 VOLTAGE 120	FL 4 DISTRIBUTION FL SP	CLC 5 LENS CLC	BM 6 MOUNTING BM YM	CSLX 7 CORD SET LENGTH CSLX	LPI 8 LAMP LPI
--	--	--	---	---------------------------------------	---	--	---------------------------------------

Catalog Number Information

STEP 1: LUMINAIRE
H418 H418 BM YM

Base Mount

STEP 1: LUMINAIRE (CONT.)

Yoke Mount

STEP 2: WATTAGE

P38100I	PAR 38	MED
P38150I	PAR 38	MED
P38250I	PAR 38	MED

¹ P38250I is default if no lamp is chosen

STEP 3: VOLTAGE

120	120V
------------	------

STEP 4: DISTRIBUTION¹

FL	Flood
SP	Spot

¹ Distribution only required if LPI is chosen

STEP 5: LENS

CLC'	Convex Lens, Clear
-------------	--------------------

¹ CLC default if lens option not chosen

STEP 6: MOUNTING

BM	Base Mount
YM	Yoke Mount

STEP 7: CORD SET LENGTH

CSLX'	Cord
--------------	------

¹ X = feet, cord available in 5' increments from 10' to 120'

STEP 8: LAMP

LPI	Lamp Included
------------	---------------

STEP 9: OPTION

CSA	Canadian Standard Assoc.
------------	--------------------------



Catalog Number Information

STEP 1: LUMINAIRE
H421 H421 BM YM

Base Mount **Yoke Mount**

STEP 2: WATTAGE

100Q	T4	Mini-can
150Q	T4	Mini-can
250Q	T4	Mini-can
400Q	T4	Mini-can
500Q¹	T4	Mini-can

¹ 500Q is default if no lamp is chosen

STEP 3: VOLTAGE

120	120V
------------	------

STEP 4: LENS

CLC'	Convex Lens, Clear
CLA	Convex Lens, Amber
CLB	Convex Lens, Blue
CLG	Convex Lens, Green
CLR	Convex Lens, Red

¹ CLC default if lens option not chosen

STEP 5: MOUNTING

BM	Base Mount
YM	Yoke Mount

STEP 6: CORD SET LENGTH

CSLX'	Cord
--------------	------

¹ X = feet, cord available in 5' increments from 10' to 120'

STEP 7: LAMP

LPI	Lamp Included
------------	---------------

STEP 8: OPTION

CSA	Canadian Standard Assoc.
------------	--------------------------



Catalog Number Information

STEP 1: LUMINAIRE
H418 H418 NM ANM

STEP 2: WATTAGE

P38100I	PAR 38	MED
P38150I	PAR 38	MED
P38250I	PAR 38	MED

¹ P38250I is default if no lamp is chosen

STEP 3: VOLTAGE

120	120V
------------	------

STEP 4: DISTRIBUTION¹

FL	Flood
SP	Spot

¹ Required if LPI is chosen

STEP 5: LENS

CLC'	Convex Lens, Clear
-------------	--------------------

¹ CLC default if lens option not chosen

STEP 6: MOUNTING

NM	Niche Mount
-----------	-------------

STEP 7: CONDUIT ENTRIES

34B	3/4 NPT on Bottom
------------	-------------------

STEP 8: ACCESSORIES

RG'	Rock Guard
------------	------------

¹ Requires on ANM

STEP 9: CORD SET LENGTH

CSLX'	Cord
--------------	------

¹ X = feet, cord available in 5' increments from 10' to 120'

STEP 10: LAMP

LPI	Lamp Included
------------	---------------



How to Construct a Catalog Number

Example:

For H421 NM only

H421	100Q	120	CLC	NM	34B	RG	CSLX	LPI
1	2	3	4	5	6	7	8	9
LUMINAIRE	WATTAGE	VOLTAGE	LENS	MOUNTING	CONDUIT ENTRIES	ACCESSORIES	CORD SET LENGTH	LAMP
H421	100Q 150Q 250Q 400Q 500Q	120	CLC CLA CLB CLG CLR	NM	34B	RG	CSLX	LPI

Catalog Number Information

STEP 1: LUMINAIRE

H421 H421 NM

STEP 2: WATTAGE

100Q	T4 Mini-can
150Q	T4 Mini-can
250Q	T4 Mini-can
400Q	T4 Mini-can
500Q ¹	T4 Mini-can

¹ 500Q is default if no lamp is chosen

STEP 3: VOLTAGE

120	120V
-----	------

STEP 4: LENS

CLC ¹	Convex Lens, Clear
CLA	Convex Lens, Amber
CLB	Convex Lens, Blue
CLG	Convex Lens, Green
CLR	Convex Lens, Red

¹ CLC is default if lens option not chosen

STEP 5: MOUNTING

NM	Niche Mount
----	-------------

STEP 6: CONDUIT ENTRIES

34B	3/4 NPT on Bottom
-----	-------------------

STEP 7: ACCESSORIES

RG	Rock Guard
----	------------

STEP 8: CORD SET LENGTH

CSLX ¹	Cord
-------------------	------

¹ X = feet, cord available in 5' increments from 10' to 120'

STEP 9: LAMP

LPI	Lamp Included
-----	---------------

STEP 10: OPTION

CSA	Canadian Standard Assoc.
-----	--------------------------

² Holophane magnetic ballast is standard

Catalog Number Information

STEP 1: LUMINAIRE

H421	H421 NM SWM
H428	H428 NM SWM

STEP 1: LUMINAIRE (CONT.)

H428

STEP 2: MATERIAL

B	Bronze
SS ¹	Stainless Steel

¹ "H421" only

STEP 3: WATTAGE

H421	T4 Mini-can
100Q	T4 Mini-can
150Q	T4 Mini-can
250Q	T4 Mini-can
400Q	T4 Mini-can
500Q ¹	T4 Mini-can
H428 ²	E17 MED
175M	E17 MED

¹ 500Q is default if no lamp is chosen
² Holophane magnetic ballast is standard

STEP 4: VOLTAGE

120	120V
-----	------

STEP 5: LENS

CLS	Convex Lens, Swim
-----	-------------------

STEP 6: MOUNTING

NM	Niche Mount
----	-------------

STEP 7: CONDUIT ENTRIES

34B	3/4 NPT on Bottom
-----	-------------------

STEP 8: CORD SET LENGTH

CSLX ¹	Cord
-------------------	------

¹ X = feet, cord available in 5' increments from 35' to 120'

STEP 9: APPLICATION

SWM	Swimming Pool Fixture
-----	-----------------------

STEP 10: LAMP

LPI	Lamp Included
-----	---------------

STEP 11: OPTION

CSA ¹	Canadian Standard Assoc.
SS ²	Stainless Steel

¹ "H421" only
² "H428" only

Ordering Information

How to Construct a Catalog Number

Example:

H424	B	120	120	MFL	CLC	BM	CSLX	LPI
1	2	3	4	5	6	7	8	9
LUMINAIRE	MATERIAL	WATTAGE	VOLTAGE	DISTRIBUTION	LENS	MOUNTING	CORD SET LENGTH	LAMP
H424 H427 H428	B	P56300I P56500I P56240ILV P56300ILV P64500I P641000I 175M	12 120	MFL NSP SP FL WFL	CLC	BM YM	CSLX	LPI LP

Catalog Number Information



STEP 1: LUMINAIRE

H424 H424 BM YM
H427 H427 BM YM
H428 H428 BM

H427

STEP 1: LUMINAIRE

H428

STEP 2: MATERIAL

B Bronze

STEP 3: WATTAGE

H424			
P56300I	PAR 56	MGEP	
P56500I¹	PAR 56	MGEP	
P56240ILV	PAR 56	Screw Terminal	
P56300ILV¹	PAR 56	Screw Terminal	
H427			
P64500I	PAR 64	MGEP	
P641000I²	PAR 64	MGEP	
H428			
175M³	E15	MED	

¹ P56500I-default for 120V, P56300ILV default for 12V
² P641000I-default if no lamp is chosen
³ Available in 175W metal halide only

STEP 4: VOLTAGE

12^{1,2}	12V
120	120V

² Transformer not included, sold separately
² Available with "H424" only

STEP 5: DISTRIBUTION

H424 and H427

MFL	Medium Flood
NSP	Narrow Spot
WFL	Wide Flood

H428

FL	Flood
SP	Spot

STEP 6: LENS

H424 and H427

CLC¹	Convex Lens, Clear
------------------------	--------------------

H428

FLC	Flat Lens, Clear
------------	------------------

¹ CLC is default if lens not chosen

STEP 7: MOUNTING

BM	Base Mount
YM¹	Yoke Mount

¹ Available with "4424" and "4427" only

STEP 8: CORD SET LENGTH

CSLX¹	Cord
-------------------------	------

¹ X = feet, cord available in 5' increments from 10' to 120'

STEP 9: LAMP

LPI¹	Lamp Included
LP²	Lamp Installed

¹ Available with "4424" and "4427" only
² Available with "4428" only

STEP 10: OPTION¹

CSA	Canadian Standard Assc.
------------	-------------------------

¹ "4424" and "4427" only

How to Construct a Catalog Number

Example:

For H424 NM and H427 NM only

H427 1 LUMINAIRE H424 H427	B 2 MATERIAL B	P64500I 3 WATTAGE P56300I P56500I P56240ILV P56300ILV P64500I P641000I	120 4 VOLTAGE 12 120	MFL 5 DISTRIBUTION MFL NSP WFL	CLC 6 LENS CLC	NM 7 MOUNTING NM	34B 8 CONDUIT ENTRIES 34B	RG 9 ACCESSORIES RG	CSLX 10 CORD SET LENGTH CSLX	LPI 11 LAMP LPI
---	--------------------------------	---	---	--	--------------------------------	----------------------------------	---	-------------------------------------	--	---------------------------------

Catalog Number Information

STEP 1: LUMINAIRE

H424 H424 NM
H427 H427 NM

H424

STEP 1: LUMINAIRE (CONT.)

H427

STEP 2: MATERIAL
B Bronze

STEP 3: LAMP TYPE

H424		
P56300I	PAR 56	MGEP
P56500I¹	PAR 56	MGEP
P56240ILV	PAR 56	Screw Terminal
P56300ILV¹	PAR 56	Screw Terminal

STEP 3: WATTAGE (CONT.)

H427		
P64500I	PAR 64	MGEP
P641000I²	PAR 64	MGEP

1 P56500I-default for 120V, P56300ILV default for 12V
2 P641000I-default if no lamp is chosen

STEP 4: VOLTAGE

12^{1,2}	12V
120	120V

1 Transformer not included, sold separately
2 Available with "4424" only

STEP 5: DISTRIBUTION

MFL	Medium Flood
NSP	Narrow Spot
WFL	Wide Flood

STEP 6: LENS

CLC¹	Convex Lens, Clear
------------------------	--------------------

1 CLC is default if lens not chosen

STEP 7: MOUNTING

NM	Niche Mount
-----------	-------------

STEP 8: CONDUIT ENTRIES

34B	3/4" NPT Bottom
------------	-----------------

STEP 9: ACCESSORIES

RG	Rock Guard
-----------	------------

1 Required for floor mounted luminaires

STEP 10: CORD SET LENGTH

CSLX¹	Cord
-------------------------	------

1 X = feet, cord available in 5' increments from 35' to 120'

STEP 11: LAMP

LPI	Lamp Included
------------	---------------

STEP 12: OPTION¹

CSA	Canadian Standard Assc.
------------	-------------------------

1 "4427" only

Catalog Number Information

STEP 1: LUMINAIRE

H425 H425 SWM
H427 H427 SWM

H425

STEP 1: LUMINAIRE (CONT.)

H427

STEP 2: MATERIAL

B	Bronze
SS	Stainless Steel

STEP 3: WATTAGE

H425		
P56200I	PAR 56	MC
P56300I	PAR 56	MC
P56500IL¹	PAR 56	MC
P56300ILV¹	PAR 56	Screw Terminal

H427

P64500I	PAR 64	MGEP
P641000I²	PAR 64	MGEP

1 P56500I-default for 120V, P56300ILV default for 12V
2 P641000I-default if no lamp is chosen

STEP 4: VOLTAGE

12^{1,2}	12V
120	120V

2 Transformer not included, sold separately
2 Available with "4424" only

STEP 5: DISTRIBUTION

MFL	Medium Flood
NSP	Narrow Spot
WFL	Wide Flood

STEP 6: LENS

CLS¹	Convex Lens, Clear Swim
------------------------	-------------------------

1 CLS is default if lens not chosen

STEP 7: MOUNTING

NM	Niche Mount
-----------	-------------

STEP 8: CONDUIT ENTRIES

34B¹	3/4" NPT Bottom
B²	1" NPT Bottom

1 120V only
2 12V only

STEP 9: CORD SET LENGTH

CSLX¹	Cord
-------------------------	------

1 X = feet, cord available in 5' increments from 35' to 120'

STEP 10: APPLICATION

SWM	Swimming Pool Fixture
------------	-----------------------

STEP 11: LAMP

LPI	Lamp Included
------------	---------------

STEP 12: OPTION

CSA	Canadian Standard Assc.
------------	-------------------------

H700 | H710 | H720



Typical Applications

- Sculptures
- Statues
- Courtyards
- Building Facades
- Architectural Details
- Night Gardens
- Signage

Features

- Beam Control
- Glare Control
- Color Control
- Superior Performance
- Intelligent Design
- Lockable Aiming
- Variety of Beam Patterns
- Easy Installation and Maintenance
- Holophane Ballast

Lamp Types

- 26 - 1000 Watt Metal Halide
- 70 - 150 Watt High Pressure Sodium
- 250 - 300 Watt Incandescent

Approvals

- UL/CUL Listed

Compact Flood

Holophane provides excellence in architectural and landscape floodlights. The optical performance of the Holophane Compact Flood Series has the capability to solve many lighting problems with its family of rugged contemporary floodlights that provide long lasting solutions for a wide range of applications from 26 Watts fluorescent to 1000 Watts HID. Highest attention is paid to beam control, glare control, and color control in the design of these fixtures.



The H700 Series Luminaire: Compact, high performance fixtures accommodate lamps to 70 Watt HID. Numerous mounting possibilities are available for both knuckle and yoke fixtures, all achieved with a consistent styling theme. Five optical systems create a wide variety of vertical and horizontal light distributions, from tight spots to wide floods.

The H710 Series Luminaire: Mid-sized fixtures designed for lamps to 175 Watt HID set the industry standard for performance. Available mounting possibilities include knuckle, yoke, wall, ceiling, and pole fixtures – all implemented with a consistent styling theme. Seven optical systems permit a wide variety of vertical and horizontal light distributions, from narrow spots to wide floods.

The H720 Series Luminaire: Large scale fixtures accommodate lamps to 1000 Watt HID. Multiple mounting possibilities are available for knuckle, yoke, wall, and pole fixtures with a consistent styling theme. Six optical systems allow a wide variety of vertical and horizontal light distributions, from spots to wide floods.



H700

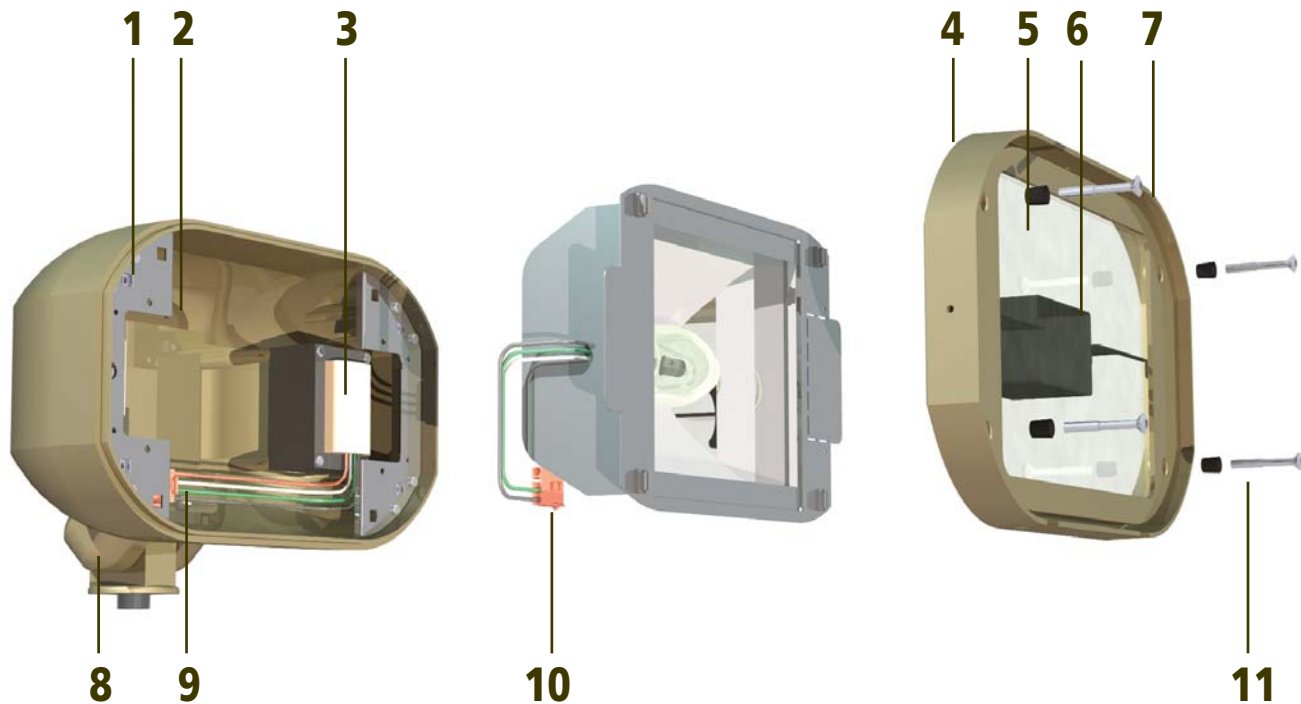


H710



H720

Product Features



1 Stainless Steel Door Retention: Fasteners are floating and replaceable. Self-centering door makes a reliable, repeatable seal.

2 Corrosion Resistant Steel Brackets: Facilitate easy mounting for reflectors and door retention.

3 High Power Magnetic Factor Ballasts: Mounted to housing allow maximum heat dissipation, long life, and reliable lamp starting. Remote enclosures with slide tray mounted ballasts on 1000 Watt lights help reduce component temperature while easing maintenance.

4 Long Lasting Silicone Gaskets: Protects against water and insects.

5 Tempered Glass Lens: Permanently bracketed and gasketed to the door to prevent moisture penetration.

6 Internal Glare Shield: Eliminates glare outside the desired light distribution pattern.

7 Heavy Duty Die Cast Aluminum Door: Integral channels for gasketing and accessory retention. Wide lip provides guide for self centering and positive sealing.

8 Rugged Knuckle: Uses machine tool technology to handle weight, providing 180° vertical tilt adjustment, and 360° rotation to put light where needed. A single tamper-proof fastener secures knuckle in position. Angle indicator marks provided.

9 Ballast Wiring and Mounting Hardware: Easily accessible for replacement.

10 Quick Wire Disconnects: Ensures easy reflector installation or removal.

11 Stainless Steel Captive Door Fasteners: Door screw grommet/casting design allows for positive sealing while preventing damage to the grommet through over-tightening.

Specifications

Material

Die cast aluminum housing and door

Reflectors

High purity anodized specular, semi-specular, or patterned lighting sheet in various configurations designed to provide maximum performance and uniformity

Lens

Flat tempered glass

Mounting

Knuckle or yoke mounted (180° vertical, 360° rotation)

Glare Control

Internal glare control elements. External, adjustable barn doors or fixed glare shields available

Ballast

Integrally mounted ballast rated for low temperatures. Luminaires are 100% factory tested. Holophane magnetic ballast provided with standard product offering for all HID sources and wattages where applicable

Fasteners

Stainless steel

Listing

UL, CUL

Ordering Information

How to Construct a Catalog Number


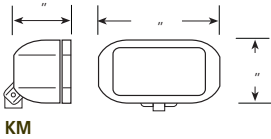
Example:

H700	100Q	120	TSP	KM	ARJB	ISS	GEB	LPI	BK
1	2	3	4	5	6	7	8	9	10
LUMINAIRE	WATTAGE	VOLTAGE	DISTRIBUTION	MOUNTING	MOUNTING ACC.	ACCESSORIES	OPTIONS	LAMP	FINISH
H700	100Q 26TRT 32TRT 42TRT 50M 70M 35CMT6 70CMT6 35S 50S 70S	120 208 220 240 277 347 120/277 MA MB MC MD VT	TSP MFL FL	KM YM	ARJB PSSA SMSA WMSA EWM	ISS IHL BD GS CFAMB CFBLU CFGRN CFRED	GEB	LPI	BK BD BM BZ GH GN GR WH SD AS

Catalog Number Information



STEP 1: LUMINAIRE
H700 Compact Flood

KM

STEP 2: WATTAGE

Incandescent
100Q¹ T4 MC

Fluorescent
26TRT² GX24Q-3
32TRT² GX24Q-3
42TRT² GX24Q-4

Metal Halide
50M E17 MED
70M E17 MED
35CMT6 T6 G12
70CMT6 T6 G12

High Pressure Sodium
35S¹ E17 MED
50S E17 MED
70S E17 MED

1 Available in 120V only
2 Available with MVOLT ballast only

STEP 3: VOLTAGE

120 120V
208 208V
220 220V
240 240V
277 277V
347 347V
120/277 120/277V

Multi-tap, factory wired
MA 120V only
MB 208V only
MC 240V only
MD 277V only
VT Vari-tap

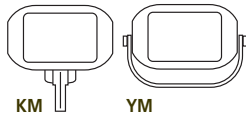
STEP 4: DISTRIBUTION

TSP¹ Tight Spot
MFL¹ Medium Flood
FL¹ Flood

1 Available with T6 and T4 lamps

STEP 5: MOUNTING

KM Knuckle Mount
YM Yoke Mount



STEP 6: MOUNTING ACCESS.

ARJB Arch. J-Box
PSSA Ped. Stan Mt. Splice Access
SMSAX¹ Stanchion Mt. Splice Access
WMSA Wall Mount Splice Access
EWMX¹ Ext. Wall Mount

1 X = length, available 12" to 48", 6" increments

STEP 7: ACCESSORIES

Internal
ISS¹ Internal Source Shield
IHL^{2,3} Internal Honey Comb
CFAMB Amber Filter
CFBLU Blue Filter
CFGRN Green Filter
CFRED Red Filter

External
BD Barn Doors
GS Glare Shield

1 Available with TSP and MFL distribution
2 Available with FL distribution
3 Not available with NHSP

STEP 8: OPTIONS

GEB Generic Electronic Ballast

HLP magnetic ballast is standard for HID lamps unless specified otherwise

STEP 9: LAMP

LPI Lamp

STEP 10: FINISH

BK Black
BD Dark Blue
BM Brown Metallic
BZ Bronze
GH Graphite
GN Green
GR Gray
WH White
SD Sandstone
AS As Specified

Ordering Information


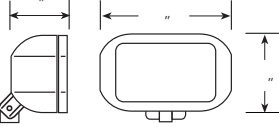
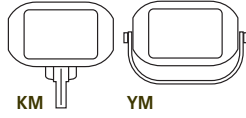
How to Construct a Catalog Number

Example:

H710	250Q	12	NSP	KM	ARJB	ISS	SF	LPI	BK
1	2	3	4	5	6	7	8	9	10
LUMINAIRE	WATTAGE	VOLTAGE	DISTRIBUTION	MOUNTING	MOUNTING ACC.	ACCESSORIES	OPTIONS	LAMP	FINISH
H710	250Q 300Q 400Q 500Q 50M 70M 70CM 100M 100CM 150M 150CM 175M 70CMT6 150CMT6 50S 70S 100S 150S	120 208 220 240 277 347 120/277 480 MA MB MC MD	NSP SP HFL VFL WFL	KM YM	ARJB PSSA SMSA WMSA EWM FJB	ISS BD GS LC CFAMB CFBLU CFGRN CFRED	SF DF GEB	LPI	BK BD BM BZ GN GR WH SD AS

Catalog Number Information



<p>STEP 1: LUMINAIRE</p> <p>H710 Compact Flood</p>  	<p>STEP 2: WATTAGE</p> <p>Incandescent</p> <table border="0"> <tr><td>250Q</td><td>T4</td><td>MC</td></tr> <tr><td>300Q</td><td>T3</td><td>RSC</td></tr> <tr><td>400Q</td><td>T4</td><td>MC</td></tr> <tr><td>500Q</td><td>T3</td><td>MC</td></tr> </table> <p>Metal Halide</p> <table border="0"> <tr><td>50M</td><td>ED17</td><td>MED</td></tr> <tr><td>70M</td><td>ED17</td><td>MED</td></tr> <tr><td>70CM</td><td>ED17</td><td>MED</td></tr> <tr><td>100M</td><td>ED17</td><td>MED</td></tr> <tr><td>100CM</td><td>ED17</td><td>MED</td></tr> <tr><td>150M</td><td>ED17</td><td>MED</td></tr> <tr><td>150CM</td><td>ED17</td><td>MED</td></tr> <tr><td>175M</td><td>ED17</td><td>MED</td></tr> <tr><td>70CMT6</td><td>T6</td><td>G12</td></tr> <tr><td>150CMT6</td><td>T6</td><td>G12</td></tr> </table> <p>High Pressure Sodium</p> <table border="0"> <tr><td>50S</td><td>E17</td><td>MED</td></tr> <tr><td>70S</td><td>E17</td><td>MED</td></tr> <tr><td>100S</td><td>E17</td><td>MED</td></tr> <tr><td>150S</td><td>E17</td><td>MED</td></tr> </table>	250Q	T4	MC	300Q	T3	RSC	400Q	T4	MC	500Q	T3	MC	50M	ED17	MED	70M	ED17	MED	70CM	ED17	MED	100M	ED17	MED	100CM	ED17	MED	150M	ED17	MED	150CM	ED17	MED	175M	ED17	MED	70CMT6	T6	G12	150CMT6	T6	G12	50S	E17	MED	70S	E17	MED	100S	E17	MED	150S	E17	MED	<p>STEP 4: DISTRIBUTION</p> <table border="0"> <tr><td>NSP¹</td><td>Narrow Spot</td></tr> <tr><td>SP</td><td>Spot</td></tr> <tr><td>HFL²</td><td>Horizontal Flood</td></tr> <tr><td>VFL</td><td>Vertical Flood</td></tr> <tr><td>WFL</td><td>Wide Flood</td></tr> </table> <p><small>1 Available with 70CMT6 and 150CMT6 lamps only 2 Not available with RSC base lamps</small></p> <p>STEP 5: MOUNTING</p> <table border="0"> <tr><td>KM</td><td>Knuckle Mount</td></tr> <tr><td>YM</td><td>Yoke Mount</td></tr> </table> 	NSP ¹	Narrow Spot	SP	Spot	HFL ²	Horizontal Flood	VFL	Vertical Flood	WFL	Wide Flood	KM	Knuckle Mount	YM	Yoke Mount	<p>STEP 7: ACCESSORIES</p> <p>Internal</p> <table border="0"> <tr><td>ISS¹</td><td>Interior Source Shield</td></tr> <tr><td>CFAMB</td><td>Amber Filter</td></tr> <tr><td>CFBLU</td><td>Blue Filter</td></tr> <tr><td>CFGRN</td><td>Green Filter</td></tr> <tr><td>CFRED</td><td>Red Filter</td></tr> </table> <p>External²</p> <table border="0"> <tr><td>BD</td><td>Barn Doors</td></tr> <tr><td>GS³</td><td>Glare Shield</td></tr> <tr><td>LC³</td><td>Polycarbonate Cover</td></tr> </table> <p><small>1 Not available with VFL or WFL distribution 2 Each option mutually exclusive, choose one only 3 Not available with CM mounting</small></p> <p>STEP 8: OPTIONS</p> <table border="0"> <tr><td>SF¹</td><td>Single Fusing</td></tr> <tr><td>DF²</td><td>Double Fusing</td></tr> <tr><td>GEB</td><td>Generic Electronic Ballast</td></tr> </table> <p><small>HLP magnetic ballast is standard for HID lamps unless specified otherwise 1 Available with 120 or 277V only 2 Available with 208, 220, 240 or 347V only</small></p> <p>STEP 9: LAMP</p> <table border="0"> <tr><td>LPI</td><td>Lamp Included</td></tr> </table> <p>STEP 10: FINISH</p> <table border="0"> <tr><td>BK</td><td>Black</td></tr> <tr><td>BD</td><td>Dark Blue</td></tr> <tr><td>BM</td><td>Brown Metallic</td></tr> <tr><td>BZ</td><td>Bronze</td></tr> <tr><td>GN</td><td>Graphite</td></tr> <tr><td>GR</td><td>Green</td></tr> <tr><td>GR</td><td>Gray</td></tr> <tr><td>WH</td><td>White</td></tr> <tr><td>SD</td><td>Sandstone</td></tr> <tr><td>AS</td><td>As Specified</td></tr> </table>	ISS ¹	Interior Source Shield	CFAMB	Amber Filter	CFBLU	Blue Filter	CFGRN	Green Filter	CFRED	Red Filter	BD	Barn Doors	GS ³	Glare Shield	LC ³	Polycarbonate Cover	SF ¹	Single Fusing	DF ²	Double Fusing	GEB	Generic Electronic Ballast	LPI	Lamp Included	BK	Black	BD	Dark Blue	BM	Brown Metallic	BZ	Bronze	GN	Graphite	GR	Green	GR	Gray	WH	White	SD	Sandstone	AS	As Specified	<p>STEP 3: VOLTAGE</p> <table border="0"> <tr><td>120</td><td>120V</td></tr> <tr><td>208</td><td>208V</td></tr> <tr><td>220</td><td>220V</td></tr> <tr><td>240</td><td>240V</td></tr> <tr><td>277</td><td>277V</td></tr> <tr><td>347</td><td>347V</td></tr> <tr><td>120/277</td><td>120/277V</td></tr> <tr><td>480</td><td>480V</td></tr> </table> <p>Multi-tap, factory wired</p> <table border="0"> <tr><td>MA</td><td>120V only</td></tr> <tr><td>MB</td><td>208V only</td></tr> <tr><td>MC</td><td>240V only</td></tr> <tr><td>MD</td><td>277V only</td></tr> </table> <p>STEP 6: MOUNTING ACCESS.</p> <table border="0"> <tr><td>ARJB</td><td>Arch. J-Box</td></tr> <tr><td>FJB</td><td>Flush Mt. Junction Box</td></tr> <tr><td>PSSA</td><td>Ped. Stan Mt. Splice Access</td></tr> <tr><td>SMSAX¹</td><td>Stanchion Mt. Splice Access</td></tr> <tr><td>WMSA</td><td>Wall Mount Splice Access</td></tr> <tr><td>EWMX¹</td><td>Ext. Wall Mount</td></tr> </table> <p><small>1 X = length, available 12" to 48", 6" increments</small></p>	120	120V	208	208V	220	220V	240	240V	277	277V	347	347V	120/277	120/277V	480	480V	MA	120V only	MB	208V only	MC	240V only	MD	277V only	ARJB	Arch. J-Box	FJB	Flush Mt. Junction Box	PSSA	Ped. Stan Mt. Splice Access	SMSAX ¹	Stanchion Mt. Splice Access	WMSA	Wall Mount Splice Access	EWMX ¹	Ext. Wall Mount
250Q	T4	MC																																																																																																																																																						
300Q	T3	RSC																																																																																																																																																						
400Q	T4	MC																																																																																																																																																						
500Q	T3	MC																																																																																																																																																						
50M	ED17	MED																																																																																																																																																						
70M	ED17	MED																																																																																																																																																						
70CM	ED17	MED																																																																																																																																																						
100M	ED17	MED																																																																																																																																																						
100CM	ED17	MED																																																																																																																																																						
150M	ED17	MED																																																																																																																																																						
150CM	ED17	MED																																																																																																																																																						
175M	ED17	MED																																																																																																																																																						
70CMT6	T6	G12																																																																																																																																																						
150CMT6	T6	G12																																																																																																																																																						
50S	E17	MED																																																																																																																																																						
70S	E17	MED																																																																																																																																																						
100S	E17	MED																																																																																																																																																						
150S	E17	MED																																																																																																																																																						
NSP ¹	Narrow Spot																																																																																																																																																							
SP	Spot																																																																																																																																																							
HFL ²	Horizontal Flood																																																																																																																																																							
VFL	Vertical Flood																																																																																																																																																							
WFL	Wide Flood																																																																																																																																																							
KM	Knuckle Mount																																																																																																																																																							
YM	Yoke Mount																																																																																																																																																							
ISS ¹	Interior Source Shield																																																																																																																																																							
CFAMB	Amber Filter																																																																																																																																																							
CFBLU	Blue Filter																																																																																																																																																							
CFGRN	Green Filter																																																																																																																																																							
CFRED	Red Filter																																																																																																																																																							
BD	Barn Doors																																																																																																																																																							
GS ³	Glare Shield																																																																																																																																																							
LC ³	Polycarbonate Cover																																																																																																																																																							
SF ¹	Single Fusing																																																																																																																																																							
DF ²	Double Fusing																																																																																																																																																							
GEB	Generic Electronic Ballast																																																																																																																																																							
LPI	Lamp Included																																																																																																																																																							
BK	Black																																																																																																																																																							
BD	Dark Blue																																																																																																																																																							
BM	Brown Metallic																																																																																																																																																							
BZ	Bronze																																																																																																																																																							
GN	Graphite																																																																																																																																																							
GR	Green																																																																																																																																																							
GR	Gray																																																																																																																																																							
WH	White																																																																																																																																																							
SD	Sandstone																																																																																																																																																							
AS	As Specified																																																																																																																																																							
120	120V																																																																																																																																																							
208	208V																																																																																																																																																							
220	220V																																																																																																																																																							
240	240V																																																																																																																																																							
277	277V																																																																																																																																																							
347	347V																																																																																																																																																							
120/277	120/277V																																																																																																																																																							
480	480V																																																																																																																																																							
MA	120V only																																																																																																																																																							
MB	208V only																																																																																																																																																							
MC	240V only																																																																																																																																																							
MD	277V only																																																																																																																																																							
ARJB	Arch. J-Box																																																																																																																																																							
FJB	Flush Mt. Junction Box																																																																																																																																																							
PSSA	Ped. Stan Mt. Splice Access																																																																																																																																																							
SMSAX ¹	Stanchion Mt. Splice Access																																																																																																																																																							
WMSA	Wall Mount Splice Access																																																																																																																																																							
EWMX ¹	Ext. Wall Mount																																																																																																																																																							

How to Construct a Catalog Number

Example:

H720	200M	12	SP	KM	PSSA	ISS	SF	LPI	BK
1 LUMINAIRE H720	2 WATTAGE 200M 250M 320CM 350M 400M 1000M 250S 400S 1000S 250H 400H	3 VOLTAGE 120 208 220 240 277 347 120/277 480 MA MB MC MD VT	4 DISTRIBUTION NHSP SP HSP HFL VFL WFL	5 MOUNTING KM YM	6 MOUNTING ACC. PSSA SMSA TNM EWM SMB SMBSMSA SMBPMT SMBEWM SMBTNM SMBSMT	7 ACCESSORIES ISS BD GS LC CFAMB CFBLU CFGRN CFRED	8 OPTIONS SF DF PE PER QRS GEB	9 LAMP LPI	10 FINISH BK BD BM BZ GH GN GR WH SD AS

Catalog Number Information



STEP 1: LUMINAIRE

H720 400 Compact Flood
H720 1000 Compact Flood

H720 400

H720 1000

SP

STEP 2: WATTAGE

Metal Halide

200M ^{1,2}	ED28	Mogul
250M	ED28	Mogul
320M ¹	ED28	Mogul
350M ^{1,2}	ED28	Mogul
400M	ED37	Mogul
1000M	BT37	Mogul

High Pressure Sodium

250S	E18	Mogul
400S	E18	Mogul
1000S	ED37	Mogul

MV

250H	E28	Mogul
400H	E37	Mogul

1 Available only with SCWA ballast
2 Not available with "SP" distribution

STEP 3: VOLTAGE

120	120V
208	208V
220	220V
240	240V
277	277V
347	347V
480	480V
120/277	120/277V

Multi-tap, factory wired

MA	120V only
MB	208V only
MC	240V only
MD	277V only
VT	Vari-tap

STEP 4: DISTRIBUTION

NSP	Narrow Spot
NHSP ¹	Narrow Horizontal Spot
SP	Spot
HSP	Horizontal Spot
HFL	Horizontal Flood
VFL	Vertical Flood
WFL	Wide Flood

1 1000 Watt only

STEP 5: MOUNTING

KM Knuckle Mount
YM Yoke Mount

STEP 6: MOUNTING ACCESS.

H720 400

EWMX¹	Ext. Wall Mount
PSSA	Ped. Stan. Mt. Splice Access
SMSAX²	Stanchion Mt. Splice Access
TNM^{3,4}	Tenon Mount

H720 1000

SMB	Surface Mounted Ballast
SMBEWM	SMB Extended Wall Mount
SMBPMT⁵	Pole Mount Tee
SMBSMSA	SMB Stanchion Mount
SMBSMT⁶	SMB Stanchion Mount Tee
SMBTNM⁶	SMB Tenon Mount

1 X = length, available 18" to 36", 6" increments
2 X = length, available 12" to 48", 6" increments
3 For use with "KM" mounting only
4 Not available with "PE"
5 Two fixtures per mounting
6 Not available with "WFL" distribution

STEP 7: ACCESSORIES

Internal

ISS¹	Interior Source Shield
CFAMB	Amber Filter
CFBLU	Blue Filter
CFGRN	Green Filter
CFRED	Red Filter

External²

BD	Barn Doors
GS	Glare Shield
LC³	Lexan Cover

1 Not available with "WFL" distribution
2 Each option is mutually exclusive, choose one
3 Available with 400W only

STEP 8: OPTIONS

SF¹	Single Fusing
DF²	Double Fusing
PE³	Photo Eye
PER⁴	Photo Cell Receptacle
QRS⁵	Quartz Emergency Re-Strike
GEB	Generic Electronic Ballast

HLP magnetic ballast is standard for HID lamps unless specified otherwise

1 Available only in 120, 277 or 347V on HID only
2 Available only in 208, 240, or 480V on HID only
3 Not available with "TNM" mounting or 1000W
4 NEMA⁹ Twist-off receptacle located in "SMBXX" mounting accessory
5 Not available in 480V or with "VT"

STEP 9: LAMP

LPI	Lamp Included
------------	---------------

STEP 10: FINISH

BK	Black
BD	Dark Blue
BM	Brown Metallic
BZ	Bronze
GH	Graphite
GN	Green
GR	Gray
WH	White
SD	Sandstone
AS	As Specified

H810 | H820



Typical Applications

- Building Facades
- Statues
- Sculpture Parks
- Architectural Details
- Parking Lots
- Signage

Features

- Consistent Architectural Styling
- High Performance Optics
- Three Mounting Applications
- Compact Design
- Variety of Light Distributions
- Versatility in Beam Control
- Easy Installation & Maintenance
- Holophane Ballast

Lamp Types

- 250 - 400 Watt Metal Halide
- 250 - 400 Watt High Pressure Sodium

Approvals

- UL/CUL Listed
- CE (H810 Wall Mount)

High Performance Flood



Expertise in sealing technology and heat transfer provides compact, high-wattage luminaires with the highest ingress protection available today – luminaires that last a lifetime.

The High Performance Flood Series combines compact size, high durability, and broad range you need to sculpt the night, together with the superior performance and unequalled quality you expect from Holophane. Choose from flexible mounting options and a wide range of photometric distributions to create a landscape of light from these unobtrusive luminaires. Holophane's high-performance optics and superior breadth of lighting options provide ultimate flexibility for more architectural lighting needs.



H810 YM



H820 YM

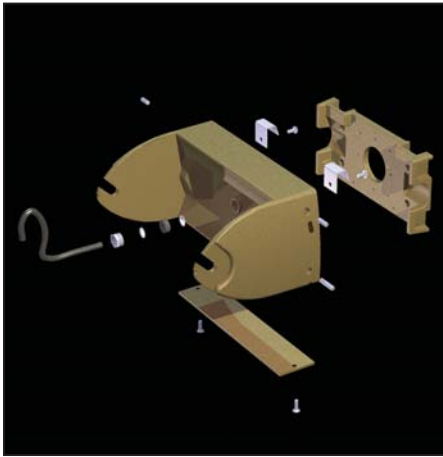
Product Features



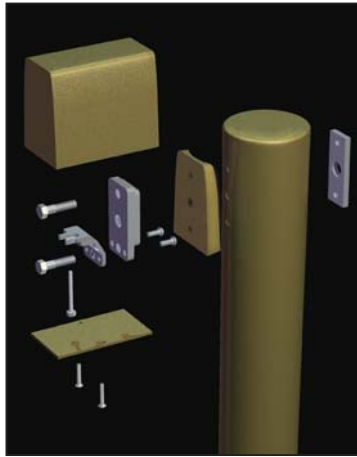
Protected Performance

Outdoor luminaires face demanding environmental challenges of extreme temperature ranges, moisture, dust and dirt. In-house testing methods exceed the most rigorous UL standards to guarantee high performance and long product life.

Universal Building and Pole Mounting Brackets



Universal bracket accommodates either uplight or downlight orientation.



Superior Design



The High Performance Flood Series features isolated optical and ballast compartments.

Specifications

Material

Die cast copper free aluminum (A360) housing and doors

Glare Control

Internal elements attached to door provide unlimited versatility in beam control. House side shield available for external glare control

Reflectors

High purity anodized specular, semi-specular, or patterned lighting sheet in various configurations to provide optimum optical performance and uniformity. Reflectors are interchangeable with two screws (H810) or four screws (H820).

Lens

Flat tempered glass for maximum resistance to impact and thermal shock

Finish

Textured TGIC powder coat polyester finish. See ordering information for available colors

Ballast

High power factor magnetic core and coil standard. Holophane magnetic ballast provided with standard product offering for all HID sources and wattages where applicable

Listing

UL, CUL
CE (H810 Wall mount)

Ordering Information

Adjustable Wall Mount

SPECIALTY LANDSCAPE
Product Catalog

How to Construct a Catalog Number

Example:

H810	100M	120	SP	AWM	ISS	SF	LPI	BK
1	2	3	4	5	6	7	8	9
LUMINAIRE	WATTAGE	VOLTAGE	DISTRIBUTION	MOUNTING	ACCESSORIES	OPTIONS	LAMP	FINISH
H810 H820	50M 70M 100M 150M 175M 200M 320M 350M 70CMT6 150CMT6 200MT 250MT 320MT 350MT 400MT 250ME 400ME 50S 70S 100S 150S 250S 400S	120 208 220 240 277 347 120/277 480 MA MB MC MD VT	SP NFL MFL FL SR2 SR3 SR4SC SR5S	AWM AWMDE	ISS HS WRG CFAMB CFBLU CFGRN CFRED	PE PER SF DF GEB	LPI	BK BD BM BZ GH GN GR WH SD AS



Catalog Number Information

STEP 1: LUMINAIRE

H810 High Performance Flood
H820 High Performance Flood

H810

H820

STEP 2: WATTAGE

H810
Metal Halide

50M	E17	MED
70M	E17	MED
100M	E17	MED
150M	E17	MED
175M	E17	MED
70CMT6	T6	G12
150CMT6	T6	G12

High Pressure Sodium

50S	E17	MED
70S	E17	MED
100S	E17	MED
150S	E17	MED

H820
Metal Halide

250ME	ED28	Mogul
400ME	ED28	Mogul
200MT ^{1,2}	T15	Mogul
250MT ^{1,2}	T15	Mogul
320MT ^{1,2}	T15	Mogul
350MT ^{1,2}	T15	Mogul
400MT ^{1,2}	T15	Mogul
200M ²	ED28	Mogul
320M ²	ED28	Mogul
350M ²	ED28	Mogul

High Pressure Sodium

250S	E18	MED
400S	E18	ME

1 T15 lamps are not available with "SR2", "SR3" and "SR4SC"
2 "SCWA" ballast required with 200M, 320M, 350M, 200MT, 250MT, 320MT, 350MT and 400MT lamps

STEP 3: VOLTAGE

120	120V
208	208V
220	220V
240	240V
277	277V
347	347V
120/277	120/277V
480	480V

Multi-tap, factory wired

MA	120V only
MB	208V only
MC	240V only
MD	277V only
VT ^{1,2}	Vari-tap

1 Standard voltage for fluorescents and MH lamps with GEB ballast option
2 Available with H810 Series only

STEP 4: DISTRIBUTION

SP	Spot
NFL	Narrow Flood
MFL	Medium Flood
FL	Flood
WFL	Wide Flood
SR2	IES Type II
SR3	IES Type III
SR4SC	IES Type IV
SR5S ¹	IES Type V

1 Available with H810 Series only

STEP 5: MOUNTING

AWM	Adjustable Wall Mount
AWMDE	Adjustable Wall Mount, Direct Entry

STEP 6: ACCESSORIES

Internal

ISS ¹	Interior Source Shield
CFAMB	Amber Filter
CFBLU	Blue Filter
CFGRN	Green Filter
CFRED	Red Filter

External²

HS	House Side Shield
WRG	Wire Rock Guard

1 Standard with SR4SC distribution
2 Each option is mutually exclusive, choose one

STEP 7: OPTIONS

PE ¹	Photo Cell
PER ²	Photo Cell Receptacle
SF ³	Single Fuse
DF ³	Double Fuse
GEB ^{1,5}	Generic Electronic Ballast

HLP magnetic ballast is standard for HID lamps unless specified otherwise

1 Available with Series H810 only
2 Available with Series H820 only, NEMA® twist-off receptacle only, photo cell control by others
3 Available with 120, 277 or 347V on HID only
4 Available with 208, 220 or 240V on HID only
5 Electronic ballasts only available with MH lamps to 150 watts and VT voltage

STEP 8: LAMP

LPI	Lamp Included
-----	---------------

STEP 9: FINISH

BK	Black
BD	Dark Blue
BM	Brown Metallic
BZ	Bronze
GH	Graphite
GN	Green
GR	Gray
WH	White
SD	Sandstone
AS	As Specified

Ordering Information

Yoke Mount

How to Construct a Catalog Number

Example:

H810	50M	120	SP	YM	ISS	ISS	SF	LPI	BK
1	2	3	4	5	6	7	8	9	10
LUMINAIRE	WATTAGE	VOLTAGE	DISTRIBUTION	MOUNTING	MOUNTING ACCESS.	ACCESSORIES	OPTIONS	LAMP	FINISH
H810 H820	50M 70M 100M 150M 175M 70CMT6 150CMT6 250ME 400ME 200MT 250MT 320MT 350MT 400MT 200M 320M 350M 50S 70S 100S 150S 250S 400S	120 208 220 240 277 347 120/277 480 MA MB MC MD VT	SP NFL MFL FL HFL VFL	YM	ARJB SMSA PSSA EWN PMSA	ISS BD FGS HGS WRG CFAMB CFBLU CFGRN CFRED	PER SF DF GEB	LPI	BK BD BM BZ GH GN GR WH SD AS



Catalog Number Information

STEP 1: LUMINAIRE

H810 High Performance Flood
H820 High Performance Flood

STEP 2: WATTAGE

H810 Metal Halide

50M	E17	MED
70M	E17	MED
100M	E17	MED
150M	E17	MED
175M	E17	MED
70CMT6	T6	G12
150CMT6	T6	G12

High Pressure Sodium

50S	E17	MED
70S	E17	MED
100S	E17	MED
150S	E17	MED

H820 Metal Halide

250ME	ED28	Mogul
400ME	ED28	Mogul
200MT ^{1,2}	T15	Mogul
250MT ^{1,2}	T15	Mogul
320MT ^{1,2}	T15	Mogul
350MT ^{1,2}	T15	Mogul
400MT ^{1,2}	T15	Mogul
200M ²	ED28	Mogul
320M ²	ED28	Mogul
350M ²	ED28	Mogul

High Pressure Sodium

250S	E18	MED
400S	E18	MED

1 T15 lamps are not available with "HSP", "HFL" and "VFL"
2 "SCWA" ballast required with 200M, 320M, 350M, 200MT, 250MT, 320MT, 350MT and 400MT lamps

STEP 3: VOLTAGE

120	120V
208	208V
220	220V
240	240V
277	277V
347	347V
120/277	120/277V
480	480V

Multi-tap, factory wired

MA	120V only
MB	208V only
MC	240V only
MD	277V only
VT ²	Vari-tap

1 Standard voltage for fluorescents and MH lamps with GEB ballast option
2 Available with H810 Series only

STEP 4: DISTRIBUTION

SP	Spot
NFL	Narrow Flood
MFL	Medium Flood
FL	Flood
HFL ¹	Horizontal Flood
VFL ¹	Vertical Flood

1 T15 lamps are not available with "HSP", "HFL" and "VFL"

STEP 5: MOUNTING

YM	Yoke Mount
----	------------

STEP 6: MOUNTING ACCESS.

EWM ¹	Ext. Wall Mount
PMSA	Pole Mt. Splice Access
PSSA	Ped. Stan. Mt Splice Access
SMSAX ²	Stanchion Mt. Splice Access
ARJB ³	Architectural Junction Box

1 X = length, available 18" to 36", 6" increments
2 X = length, available 12" to 48", 6" increments
3 Available with H810 Series only

STEP 7: ACCESSORIES

Internal

ISS ¹	Interior Source Shield
CFAMB	Amber Filter
CFBLU	Blue Filter
CFGRN	Green Filter
CFRED	Red Filter

External²

BD	Barn Doors
FGS	Full Glare Shield
HGS	Half Glare Shield
WRG	Wire Rock Guard

1 Not available with "HFL" on H810, standard with "VFL" on H820 and not available with "HFL" or "VFL" on H820
2 Each option is mutually exclusive, choose one

STEP 8: OPTIONS

PER ¹	Photo Cell Receptacle
SF ²	Single Fuse
DF ³	Double Fuse
GEB ⁴	Generic Electronic Ballast

HLP magnetic ballast is standard for HID lamps unless specified otherwise
1 Available with Series H820 only, NEMA twist-off receptacle only, photocell control by others
2 Available with 120, 277 or 347V on HID only
3 Available with 208, 220 or 240V on HID only
4 Only available with MH lamps to 150 watts and VT voltage

STEP 9: LAMP

LPI	Lamp Included
-----	---------------

STEP 10: FINISH

BK	Black
BD	Dark Blue
BM	Brown Metallic
BZ	Bronze
GH	Graphite
GN	Green
GR	Gray
WH	White
SD	Sandstone
AS	As Specified

Ordering Information

Pole Mount

How to Construct a Catalog Number

Example:

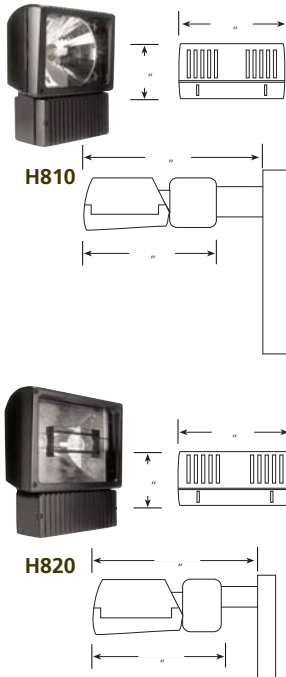
H810	100M	120	SR2	PMEF	HS	PE	LPI	BK
1	2	3	4	5	6	7	8	9
LUMINAIRE	WATTAGE	VOLTAGE	DISTRIBUTION	MOUNTING	ACCESSORIES	OPTIONS	LAMP	FINISH
H810 H820	50M 70M 100M 150M 175M 150CMT6 250ME 400ME 200M 250M 320M 350M 50S 70S 100S 150S	120 208 220 240 277 347 120/277 480 MA MB MC MD VT	SR2 SR3 SR4SC SR5S	PMEF PME3 PME4	HS	PE PER SF DF GEB	LPI	BK BD BM BZ GH GN GR WH SD AS

Catalog Number Information



STEP 1: LUMINAIRE

H810 High Performance Flood
H820 High Performance Flood



H810

H820

STEP 2: WATTAGE

H810
Metal Halide

50M	E17	MED
70M	E17	MED
100M	E17	MED
150M	E17	MED
175M	E17	MED
70CMT6	T6	G12
150CMT6	T6	G12

High Pressure Sodium

50S	E17	MED
70S	E17	MED
100S	E17	MED
150S	E17	MED

H820
Metal Halide

250ME	ED28	Mogul
400ME	ED28	Mogul
200M ¹	ED28	Mogul
320M	ED28	Mogul
350M ¹	ED28	Mogul

¹ "GPSB" required with 200M, 320M and 350M

STEP 3: VOLTAGE

120	120V
208	208V
220	220V
240	240V
277	277V
347	347V
120/277	120/277V
480	480V

Multi-tap, factory wired

MA	120V only
MB	208V only
MC	240V only
MD	277V only
VT ²	Vari-tap

¹ Standard voltage for fluorescents and MH lamps with GEB ballast option
² Available with H810 Series only

STEP 4: DISTRIBUTION

SR2	IES Type II
SR3	IES Type III
SR4SC	IES Type IV
SR5S	IES Type V

STEP 5: MOUNTING

PMEF	Square Pole
PME3 ¹	3" Diameter Pole
PME4	4" Diameter Pole

² Available with H810 Series only

STEP 6: ACCESSORIES

External

HS ¹	House Side Shield
-----------------	-------------------

¹ Available only with "SR2" and "SR3" distributions

STEP 7: OPTIONS

PE ¹	Photo Cell
PER ²	Photo Cell Receptacle
SF ³	Single Fuse
DF ⁴	Double Fuse
GEB ^{1,5}	Generic Electronic Ballast

HLP magnetic ballast is standard for HID lamps unless specified otherwise

- Available with Series H810 only
- Available with Series H820 only
- Available with 120, 277 or 347V on HID only
- Available with 208, 220 or 240V on HID only
- Electronic ballasts only available with MH lamps to 150 watts and MVOLT voltage

STEP 8: LAMP

LPI	Lamp Included
-----	---------------

STEP 9: FINISH

BK	Black
BD	Dark Blue
BM	Brown Metallic
BZ	Bronze
GH	Graphite
GN	Green
GR	Gray
WH	White
SD	Sandstone
AS	As Specified

Mounting Options

Compact Flood

Compact Flood Series Mounting Options		No mounting accessories available																			
		ARJB	FJB	PMSA	PMT ¹	SMSA ²	HYDSMDB	TRJB	EWMM ²	TNM	PAR ^{1,2}	PAS ²	PATR ²	PATS ^{1,2}	SMB ¹	SMBEWM	SMBSMSA	SMBSMT ¹	SMBPMT ¹	SMBTNM	SMBR
		Architectural Junction Box	Flush Mount Junction Box	Pole Mount	Pole Mount Tree	Stanchion Mount	Stanchion Mount Direct Burial	Tree Mount Junction Box	Extended Wall Mount	Tenon Mount	Pole Arm, Round	Pole Arm, Square	Pole Arm, Twin Round	Pole Arm, Twin Square	SMB Ballast	SMB Extended Wall Mount	SMB Stanchion Mount	SMB Stanchion Tee Mount	SMB Pole Tee Mount	SMB Tenon Mount	SMB Remote Mount
H700 Series																					
Adjustable																					
Knuckle Mount	KM	●	●	●	●	●		●	●		●	●	●	●							
Yoke Mount	YM	●	●	●	●	●		●	●		●	●	●	●							
H710 Series																					
Adjustable																					
Knuckle Mount	KM	●	●	●	●	●		●	●		●	●	●	●							
Yoke Mount	YM	●	●	●	●	●		●	●		●	●	●	●							
Fixed																					
Wall Mount Side Down/Up	WMS/WUS	●																			
Ceiling Mount	CM	●																			
H720 Series 400 watt																					
Adjustable																					
Knuckle Mount	KM	●		●	●	●	●		●	●	●	●	●	●							
Yoke Mount	YM	●		●	●	●	●		●		●	●	●	●							
H720 Series 1000 watt																					
Adjustable																					
Knuckle Mount	KM														●	●	●	●	●	●	●
Yoke Mount	YM														●	●	●	●	●	●	●

1 Two fixtures per mounting
 2 Multiple length available, consult specification sheets

High Performance Flood

High Performance Flood Series Mounting Options		No mounting accessories available	ARJB	FJB	PMSA	PMT ¹	HYDSMDB	TRJB	EWM ²	PAR ²	PAS ²	PATR ^{1,2}	PATS ^{1,2}
		Architectural Junction Box	Flush Mount Junction Box	Pole Mount	Pole Mount Tree	Stanchion Mount Direct Burial	Tree Mount Junction Box	Extended Wall Mount	Pole Arm, Round	Pole Arm, Square	Pole Arm, Twin Round	Pole Arm, Twin Square	
H810 Series													
Adjustable													
Yoke Mount	YM		●	●	●	●	●	●	●	●	●	●	●
Adj. Wall Mount	AWM/AWMDE	●											
Fixed													
Pole Mount	PMEF, PME3, PME4	●											
H820 Series													
Adjustable													
Yoke Mount			●		●	●	●		●	●	●	●	●
Adj. Wall Mount	AWM/AWMDE	●											
Fixed													
Pole Mount	PMEF, PME3, PME4	●											

1 Two fixtures per mounting

2 Multiple length available, consult specification sheets



Typical Applications

- Building Facades
- Landscaping
- Sculpture Parks
- Architectural Details
- Signage
- Wet/Dry Areas

Features

- Consistent Architectural Styling
- High Performance Optics
- Three Mounting Applications
- Compact Design
- Variety of Light Distributions
- Versatility in Beam Control
- Easy Installation & Maintenance
- Holophane Ballast

Lamp Types

- 250 - 400 Watt Metal Halide
- 250 - 400 Watt High Pressure Sodium

Approvals

- UL/CUL Listed (H670)

In-Grade

The H670 Series Luminaire: Sealed outdoor uplights for multi-purpose applications. The H670 is designed for flush mounting in planting areas or concrete for up-lighting building facades, walls, trees and other similar applications where a controlled adjustable light source is desirable.

The H670 Series offers high performance and durability in an in-grade luminaire. Many lamping options and distributions are available including HID lamps up to 175 watts. Integral ballast and junction box options can be added to the Series for even greater reliability.

The H900 and H910 Series Luminaire: Wet/dry flush mounted up-lights represent the state-of-the-art in flush up-light construction. These multi-purpose modular units are designed for mounting in areas that are prone to being submerged in water or could possibly be wet a lot of the time. The lamp module and power modules are factory sealed, thermally protected, and connected by submersible rated connectors. Round or square styles are available. The H900 is a low-wattage in-grade luminaire for use with MR-16 and PAR-36 lamps up to 75 watts. The H910 is an HID in-grade luminaire available in wattages up to 175MH and 150HPS. All power modules are sealed to eliminate water entry.



H670



H900



H910

Ordering Information

H670

How to Construct a Catalog Number

Example:

H670	B	100M	120	SP	FLC	12S	ISS	SF	LP
1	2	3	4	5	6	7	8	9	10
LUMINAIRE	MATERIAL	WATTAGE	VOLTAGE	DISTRIBUTION	LENS	CONDUIT ENTRIES	ACCESSORIES	OPTIONS	LAMP
H670	B	P3050I P3075I P38100I P38150I P38250I 100Q 150Q 250Q 18TRT 26TRT 32TRT 42TRT 70M 70CM 100M 100CM 150M 150CM 175M See below for other lamps	120 208 240 277 347 120/277 MA MB MC MD VT	NSP SP NFL MFL FL WFL WWD ASY HSP	FLC FLC5 FLC10 FLC20 FLF FLCAS CLC CLF	12B 12S 34B 34S	IHL ISS WWL LSF CFAMB CFBLU CFGRN CFRED GS LC LS RG BTR	SF DF GEB	LP



Catalog Number Information

STEP 1: LUMINAIRE
H670 Sealed In-Grade Uplight

STEP 2: MATERIAL
B Bronze

STEP 3: WATTAGE

Incandescent¹

P3050I	PAR 30	MED
P3075I	PAR 30	MED
P38100I	PAR 38	MED
P38150I	PAR 38	MED
P38250I	PAR 38	MED
100Q	T4	MC
150Q	T4	MC
250Q	T4	MC

Fluorescent

18TRT	Triple Tube Gx24Q-2
26TRT	Triple Tube Gx24Q-3
32TRT	Triple Tube Gx24Q-3
42TRT	Triple Tube Gx24Q-4

Metal Halide

70M	E17	MED
70CM	E17	MED
100M	E17	MED
100CM	E17	MED
150M	E17	MED
150CM	E17	MED
175M	E17	MED
35CMT6	T6	G12
35CMT4	T4	G8.5
70CMT4	T4	G8.5
70CMT6	T6	G12
150CMT6	T6	G12
P3035CM	PAR 30	MED
P3070CM	PAR 30	MED
P3870M	PAR 38	MED
P3870CM	PAR 38	MED
P38100M	PAR 38	MED
P38100CM	PAR 38	MED

High Pressure Sodium

50S	E17	MED
70S	E17	MED
100S	E17	MED
150S	E17	MED

¹ Available with 120V only

STEP 4: VOLTAGE

120	120V
208	208V
240	240V
277	277V
347	347V
120/277	120/277V

Multi-tap, factory wired

MA	120V only
MB	208V only
MC	240V only
MD	277V only
VT ¹	Vari-tap

¹ Standard voltage for fluorescents except 347V and MH lamps with GEB ballast option

STEP 5: DISTRIBUTION

NSP ¹	Narrow Spot
SP ¹	Spot
NFL	Narrow Flood
NSP ¹	Narrow Spot
FL ^{2,3}	Flood
WFL ²	Wide Flood
WWD ⁴	Wall Wash
ASY	Asymmetric

15° Reflector Tilt

NSP ¹	Narrow Spot
NSP ¹	Narrow Spot

¹ Available with T4 or T6 lamps only
² Not available with T4 or T6 lamps
³ Available with PAR lamps only
⁴ Not available with PAR lamps

STEP 6: LENS

FLC	Flat Lens, Clear
FLC5	Flat Lens, Clear, 5° Axial Spread
FLC10	Flat Lens, Clear, 10°Tilt
FLC20	Flat Lens, Clear, 20°Tilt
FLF	Flat Lens, Frosted
FLCAS	Flat Lens, Clear, Anti-Slip
CLC	Convex Lens, Clear
CLF	Convex Lens, Frosted

STEP 7: CONDUIT ENTRIES

12B	1/2" NPT Bottom
12S	1/2" NPT Side
34B	3/4" NPT Bottom
34S	3/4" NPT Side

STEP 8: ACCESSORIES¹

Internal¹

IHL	Internal Honeycomb Louver
ISS ²	Interior Source Shield
WWL	Wall Wash Louver

Filters

CFAMB ³	Color Filter, Amber
CFBLU ²	Color Filter, Blue
CFGRN ³	Color Filter, Green
CFRED ³	Color Filter, Red
LSF	Linear Spread Filter, Horiz.

External

BTR	Brass Round
GS	Glare Shield
LC	Lexan Cover
LS	Light Shield
RG ⁴	Rock Guard

¹ Each option is mutually exclusive, choose only one internal and one external per luminaire
² Not available with "WWD" or PAR lamps
³ Available to 100 Watt max. only
⁴ Not available with "CLC" or "CLF" lenses

STEP 9: OPTIONS

SF ¹	Single Fuse
DF ²	Double Fuse
GEB ³	Generic Electronic Ballast

HLP magnetic ballast is standard for HID lamps unless specified otherwise

¹ Available with 120, 277 or 347V on HID only
² Available with 208 or 240V on HID only
³ Electronic ballasts only available with MH lamps to 150W and VT voltage

STEP 10: LAMP

LP	Lamp Installed
----	----------------

Ordering Information

H900 | H910



HOLOPHANE outdoor lighting

SPECIALTY LANDSCAPE

Product Catalog

How to Construct a Catalog Number

Example:

H900	A	50S	120	SP	120	34B	ISS	LP	SF	BK
1	2	3	4	5	6	7	8	9	10	11
LUMINAIRE	MATERIAL	WATTAGE	VOLTAGE	DISTRIBUTION	LENS	CONDUIT ENTRIES	ACCESSORIES	LAMP	OPTIONS	FINISH
H900 H910	A B	50S 70S 100S 150S M20 M35 M50 M75 P3636ILV P3650ILV P3675ILV AR11150ILV AR11175ILV P1660I P1675I P2050I P2075I P3075I See below for other lamps	120 208 240 277 347	NSP SP VNSP FL NFL MFL WFL WWFL WWD	CLC CLF FLC FLCAS FLC5AS FLC5 FLC10 FLC20 FLF	34B	IHL ISS MSR BJB WWL GS RG BTR STR	LP LP	SF DF	BK BD BM BZ GH GN GR WH SD AS

Catalog Number Information



STEP 1: LUMINAIRE	
H900 H910	In-Grade In-Grade
	
H900	
	
H910	
STEP 2: MATERIAL	
A B	Aluminum Bronze
STEP 3: WATTAGE	
H900	
Low Voltage	
M20	E17 MED
M35	E17 MED
M50	E17 MED
M75	E17 MED
P3636ILV	PAR 36
P3650ILV	PAR 36
P3675ILV	PAR 36

STEP 3: WATTAGE (CONT.)		
Low Voltage Cont.		
AR11150ILV	50W	AR111
AR11175ILV	75W	AR111
Incandescent		
P1660I	PAR 38	MED
P1675I	PAR 38	MED
P2050I	PAR 38	MED
P2075I	PAR 38	MED
P3075I	PAR 38	MED
H910		
High Pressure Sodium		
50S	E17	MED
70S	E17	MED
100S	E17	MED
150S	E17	MED
Metal Halide		
35CMT6	T6	G12
70CMT6	T6	G12
150CMT6	T6	G12
50M	E17	MED
70M	E17	MED
70CM	E17	MED
100M	E17	MED
100CM	E17	MED
150M	E17	MED
175M	E17	MED
P3870M	PAR 38	MED
P3870CM	PAR 38	MED
P38100M	PAR 38	MED
P38100CM	PAR 38	MED
P38175M	PAR 38	MED
Incandescent		
P38100I	PAR 38	MED
P38150I	PAR 38	MED
100Q	T4	
150Q	T4	
250Q	T4	

STEP 4: VOLTAGE	
120	120V
208 ²	208V
240 ²	240V
277	277V
347 ²	347V
1 Available with H900 only, transformer not included	
2 Available with H910 only	
STEP 5: DISTRIBUTION	
SP	Spot, Clear Flat Lens
NSP	Narrow Spot
FL	Flood
NFL	Narrow Flood, Flat Lens
VNSP	Very Narrow Spot
WWFL	Very Wide Flood
WFL	Wide Flood
WWD ¹	Wall Wash, 5° Axial Spread Lens
MFL ¹	Diffuse Reflector, 5° Spread Lens
1 Available with H910 only	
STEP 6: LENS	
CLC	Convex Lens, Clear
CLF	Convex Lens, Frosted
FLC	Flat Lens, Clear
FLC5	Flat Lens, Clear, 5° Axial Spread
FLCAS ¹	Flat Lens, Clear, Anti-Slip
FLC5AS ¹	Flat Lens, 5° Axial Spread Anti-Slip
FLC510 ¹	Flat Lens, Clear, 10°Tilt
FLC20	Flat Lens, Clear, 20°Tilt
FLF	Flat Lens, Froster
1 Available only with H910	

STEP 7: CONDUIT ENTRIES	
34B	3/4" NPT Bottom
STEP 8: ACCESSORIES	
Internal	
IHL	Internal Honeycomb Louver
ISS ¹	Internal Source Shield
BJB ¹	Cast Bronze Junction Box
MSR	Modular Support Ring
WWL ¹	Wall Wash Louver
External	
RG	Rock Guard
GS	Glare Shield
STR	Stainless Steel Trim Ring, Rd.
BRT	Natural Bronze Trim Ring, Rd.
1 Available only with H910	
STEP 9: LAMP	
LP	Lamp Installed
STEP 10: OPTIONS	
SF	Single Fuse
DF	Double Fuse
STEP 11: FINISH	
BK	Black
BD	Dark Blue
BM	Brown Metallic
BZ	Bronze
GH	Graphite
GN	Green
GR	Gray
WH	White
SD	Sandstone
AS	As Specified



Typical Applications

- Architectural Lighting
- Pedestrian Guidance
- Accent Lighting
- Landscape Lighting

Features

- Luxeon® High Power LEDs from Lumileds®
- Higher Lumen Output than 5mm LEDs
- Long, Reliable Product Life
- IP68, Suitable for Wet Locations
- Durable Construction
- Round or Square Stainless Steel Bezel
- Low Lens Temperature

Lamp Types

- 1.2W Luxeon LEDs
- Available in 3, 6, 9 and 12 lamps

Approvals

- CUL Listed

LED Trailblazer®

LED Series fittings utilize the award-winning Luxeon high power LEDs from Lumileds, which offer distinct advantages over 5mm LEDs, including superior light output and lumen maintenance. Housed in a cast aluminum body with a round or square stainless steel door, these revolutionary LEDs are available in six colors - warm white, cool white, blue, green, red and amber - and with acrylic lenses to give a choice of beam angles.

The low lens temperature makes them suitable for use in public areas, where there is a possibility of people touching them. They can be ground or wall-recessed as well as stirrup-mounted and will enhance the appearance of a multitude of architectural applications. A dome top version is also available.



LT



Stirrup Mounting



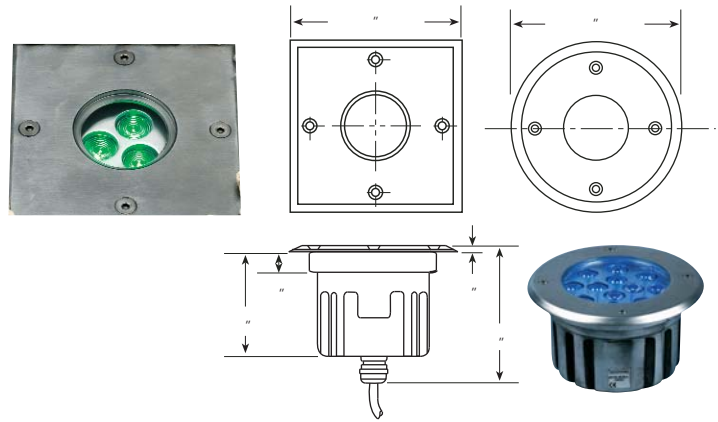
LTD

Product Features

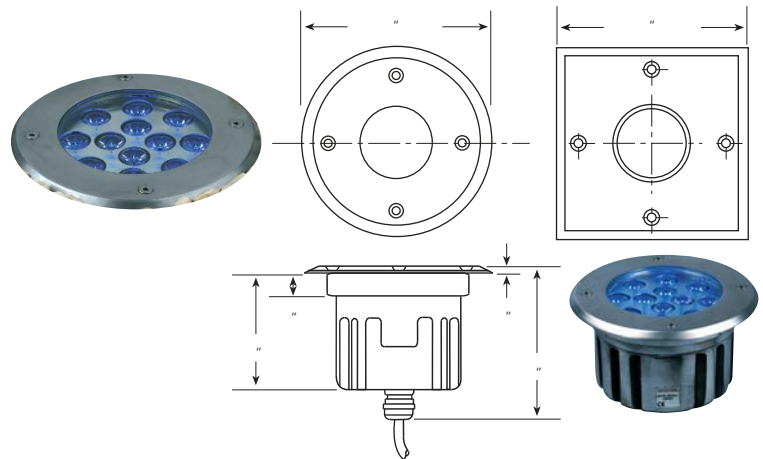
LT | Flat and Stirrup Mount



LT__3



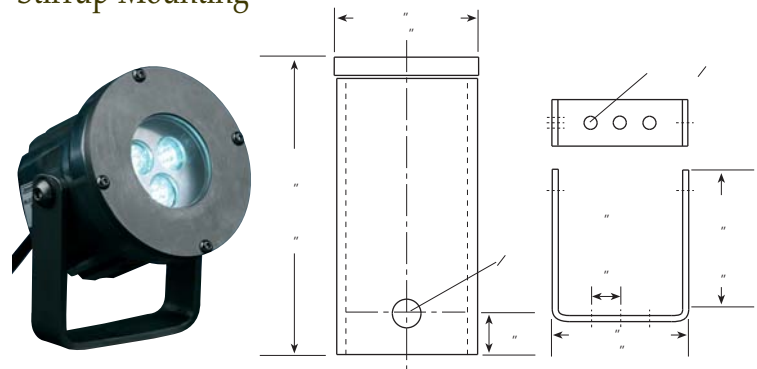
LT__6, 9 and 12



Specifications

The luminaire shall consist of a LM6 marine grade cast aluminum body with a round or square 316 grade stainless steel surface bezel. The body shall house three, six, nine or twelve 1.2W Luxeon high power LEDs in warm white, cool white, blue, green, red or amber, giving a 6, 25 or 45 degree beam (via acrylic focusing lens). The door lens shall comprise of circular clear or frosted toughened glass. A vandal-resistant option with a 10mm thick glass shall also be available. The luminaire shall be suitable for recessed wall and ground-mounting as well as surface-mounting via a stirrup. The luminaire shall have a load resistance of 1500kg, be designed to EN60598-2-5 and be sealed to IP68.

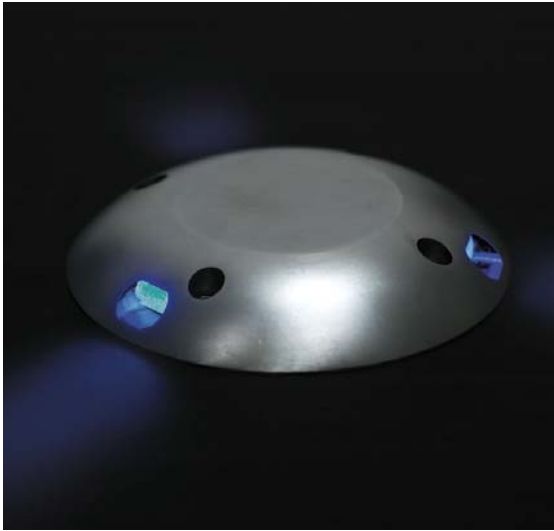
Stirrup Mounting



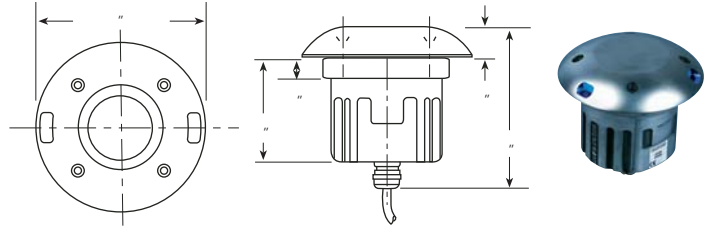
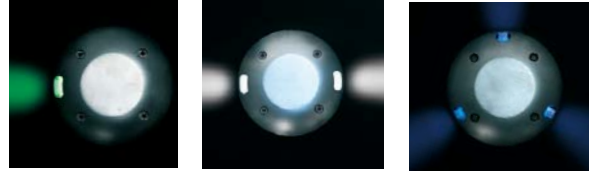
Weights & Thermal Data

Luminaire Type	Weight kg (lbs)	Minimum Operating	Maximum Ambient
LT__3	1.5 (3.30)	-20°C	30°C
LT__6, LT__9	3.4 (7.49)	-20°C	30°C
LT__12	3.4 (7.49)	-20°C	30°C

LTD | Dome Top



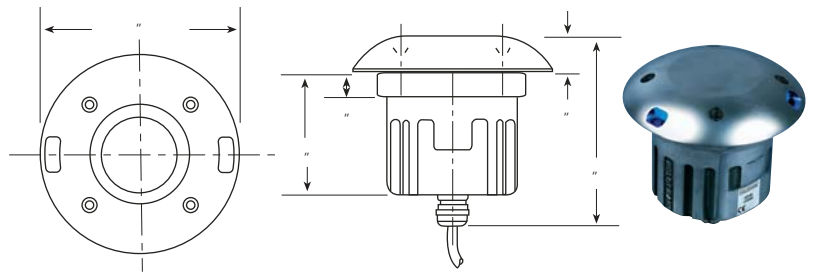
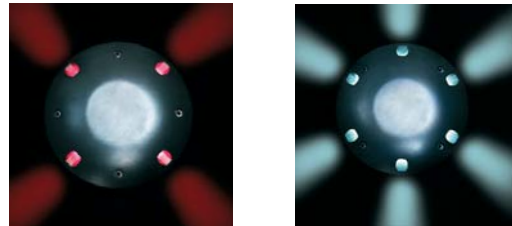
LTD__ 1, 2 and 3



Specifications

The luminaire shall consist of a LM6 marine grade cast aluminum body with a domed 316 grade stainless steel surface bezel. The bezel shall have one, two, three, four or six apertures with an acrylic lens housing one 1.2W Luxeon high power LED per aperture. Available colors of the LEDs shall be warm white, cool white, blue, green, red or amber. The luminaire shall be suitable for recessed ground-mounting with a load resistance of 1800kg, be designed to EN60598-2-5 and be sealed to IP68.

LTD__ 4 and 6



Weights & Thermal Data

Luminaire Type	Weight kg (lbs)	Minimum Operating	Maximum Ambient
LTD__1, LTD__2	1.8 (3.97)	-20°C	30°C
LTD__3	1.8 (3.97)	-20°C	30°C
LTD__4, LTD__6	3.6 (7.94)	-20°C	30°C

Ordering Information

LT





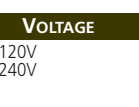










How to Construct a Catalog Number

Example:

LT	12	6WH	25D	RD	CL	A6
1	2	3	4	5	6	7
LUMINAIRE	VOLTAGE	LIGHT SOURCE	BEAM ANGLE	DOOR	GLASS	OPTIONS/ACCESSORIES
LT	12 24	3AM 3BL 3GR 3RD 3WH 3WW 6AM 6BL 6GR 6RD 6WH 6WW 9AM 9BL 9GR 9RD 9WH 9WW 12A 12B 12G 12H 12R 12W	06D 25D 45D	RD SD	CL FR VC VF	SS TW A6 A9 LT3GRS LT6912GRS LT3WRS LT6912WRS LTILC

Catalog Number Information



STEP 1: LUMINAIRE	STEP 3: SOURCE AND WATTAGE	STEP 4: BEAM ANGLE	STEP 7: OPTIONS/ACCESSORIES
LT LED Trailblazer Series  LT__3  LT__6  LT__9  LT__12 	3 x 1.2W LED 3WH Cool White LED (5000K) 3WW Warm White LED (3200K) 3BL Blue LED 3RD Red LED 3GR Green LED 3AM Amber LED 6 x 1.2W LED 6WH Cool White LED (5000K) 6WW Warm White LED (3200K) 6BL Blue LED 6RD Red LED 6GR Green LED 6AM Amber LED 9 x 1.2W LED 9WH Cool White LED (5000K) 9WW Warm White LED (3200K) 9BL Blue LED 9RD Red LED 9GR Green LED 9AM Amber LED 12 x 1.2W LED 12H Cool White LED (5000K) 12W Warm White LED (3200K) 12B Blue LED 12R Red LED 12G Green LED 12A Amber LED	06D ¹ 6° Beam Acrylic Lens 25D ¹ 25° Beam Acrylic Lens 45D 45° Beam Acrylic Lens 1 Not available with "FR" frosted glass 	OPTIONS SS ¹ Stainless Steel Stirrup Mount TW Thru-wiring A6 ² Adjustable Optic +/- 15° A9 ³ Adjustable Optic +/- 15° 1 For surface mounting (no recessing sleeve accessory required). 2 Available with 6 LED versions only. 3 Available with 9 LED versions only. ACCESSORIES Aluminum Ground Recessing Sleeves LT3GRS 3 x 1.2W In-grade LED Luminaire LT6912GRS 6, 9, or 12 x 1.2W In-grade LED Luminaire Aluminum Wall Recessing Sleeves LT3WRS 3 x 1.2W In-grade LED Luminaire LT6912WRS Aluminum Wall Recessing Sleeve for 6, 9, or 12 x 1.2W In-grade LED Luminaire LTILC IP68 Inline Connector     
STEP 2: VOLTAGE 12 120V 24 240V		STEP 5: DOOR STYLE RD Round Stainless Steel Door SD Square Stainless Steel Door  	
		STEP 6: GLASS TYPE CL ¹ Clear Glass FR Frosted Glass VC Clear Vandal Resistant Glass VF Frosted Vandal Resistant Glass 1 Only available with 45° beam angle  	

Ordering Information

LTD

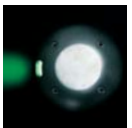

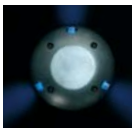






How to Construct a Catalog Number

Example:

LTD	12	4WH	A6
1	2	3	4
LUMINAIRE	VOLTAGE	LIGHT SOURCE	OPTIONS/ACCESSORIES
LTD	12 24	1AM 1BL 1GR 1RD 1WH 1WW 2AM 2BL 2GR 2RD 2WH 2WW 3AM 3BL 3GR 3RD 3WH 3WW 4AM 4BL 4GR 4RD 4WH 4WW 6AM 6BL 6GR 6RD 6WH 6WW	TW LT3GRS LT6912GRS LT3WRS LT6912WRS LTILC

Catalog Number Information



STEP 1: LUMINAIRE	STEP 2: VOLTAGE	STEP 3: SOURCE AND WATTAGE	STEP 4: OPTIONS/ACCESSORIES	
LTD LED Trailblazer Series  LTD_1  LTD_2  LTD_3  LTD_4  LTD_6	12 120V 24 240V	STEP 3: SOURCE AND WATTAGE 1 x 1.2W LED 1AM Amber LED 1BL Blue LED 1GR Green LED 1RD Red LED 1WH Cool White LED (5000K) 1WW Warm White LED (3200K) 2 x 1.2W LED 2AM Amber LED 2BL Blue LED 2GR Green LED 2RD Red LED 2WH Cool White LED (5000K) 2WW Warm White LED (3200K)	STEP 3: SOURCE AND WATTAGE 3 x 1.2W LED 3AM Amber LED 3BL Blue LED 3GR Green LED 3RD Red LED 3WH Cool White LED (5000K) 3WW Warm White LED (3200K) 4 x 1.2W LED 4AM Amber LED 4BL Blue LED 4GR Green LED 4RD Red LED 4WH Cool White LED (5000K) 4WW Warm White LED (3200K) 6 x 1.2W LED 6AM Amber LED 6BL Blue LED 6GR Green LED 6RD Red LED 6WH Cool White LED (5000K) 6WW Warm White LED (3200K)	STEP 4: OPTIONS/ACCESSORIES OPTIONS TW Thru-wiring ACCESSORIES Aluminum ground recessing sleeves LT3GRS 3 x 1.2W In-Grade LED Luminaire LT6912GRS 6, 9, or 12 x 1.2W In-Grade LED Luminaire Aluminum wall recessing sleeves LT3WRS 3 x 1.2W In-Grade LED Luminaire LT6912WRS Aluminum Wall Recessing Sleeve for 6, 9, or 12 x 1.2W In-Grade LED Luminaire IP68 Inline Connector  LTILC  LTXGRS  LTXWRS  TW



Luminaires may utilize fluorescent or high intensity discharge sources that contain small amounts of mercury. New disposal labeling for these lamps includes the mercury identifier shown on the right to indicate that the lamp contains mercury and should be disposed of in accordance with local requirements. Information sources regarding lamp recycling and disposal are included on the packaging of most mercury-containing lamps and also can be located at www.lamprecycle.org.




HOLOPHANE[®]
LEADER IN LIGHTING SOLUTIONS

An **AcuityBrands** Company

Acuity Lighting Group, Inc.

214 Oakwood Ave., Newark, OH 43055 /
Holophane Canada, Inc. 9040 Leslie Street,
Suite 208, Richmond Hill, ON L4B 3M4 /
Holophane Europe Limited, Bond Ave., Milton
Keynes MK1 1JG, England / Holophane, S.A.
de C.V., Apartado Postal No. 986, Naucalpan
de Juarez, 53000 Edo. de Mexico.

Contact your local Holophane factory sales representative for application assistance, and computer-aided design and cost studies. For information on other Holophane products and systems, call the Inside Sales Service Department at 740-345-9631. In Canada call 905-707-5830 or fax 905-707-5695.

Limited Warranty and Limitation of Liability Refer to the Holophane limited material warranty and limitation of liability on this product, which are published in the "Terms and Conditions" section of the current product digest, and is available from your local Holophane factory sales representative.

Visit our web site at www.holophane.com